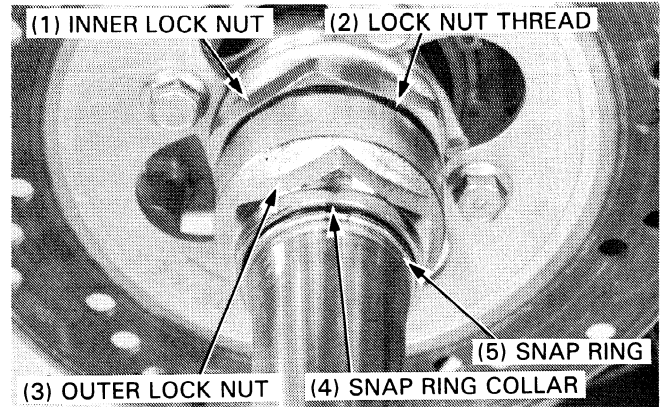


Apply a thread locking agent to the inner lock nut threads.

Thread the inner and outer lock nuts over the lock nut thread and install them onto the axle.

Install the snap ring collar and snap ring.



Temporarily install the left rear wheel hub and wheel.

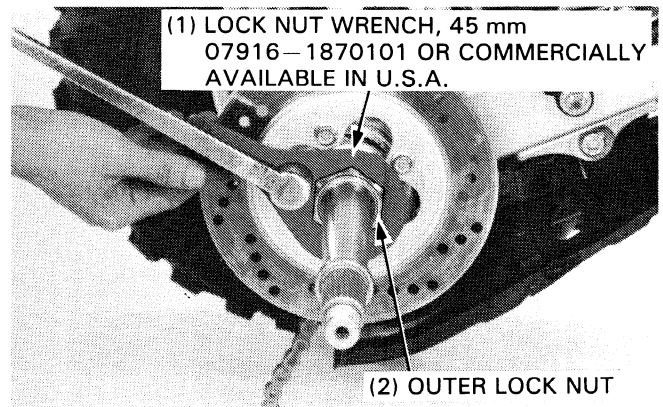
Tighten the outer lock nut to the specified torque against the snap ring collar while holding the left rear wheel.

TORQUE: 80–100 N·m (8.0–10.0 kg-m, 58–72 ft-lb)

NOTE

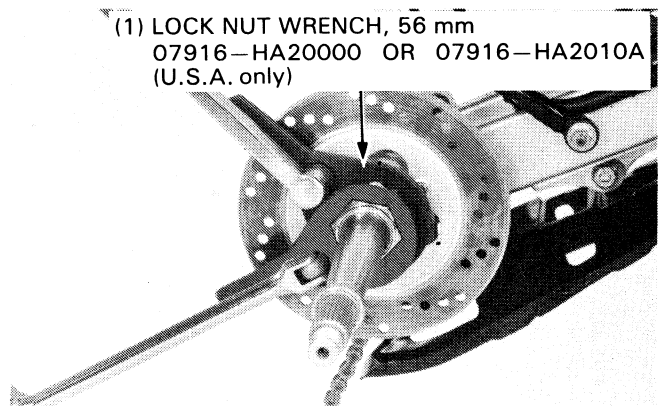
- The inner and outer lock nuts have left-hand threads.

Remove the left rear wheel and wheel hub.



Tighten the inner lock nut against the outer lock nut.

TORQUE: 120–140 N·m (12.0–14.0 kg-m, 87–101 ft-lb)



Lower the brake caliper over the disc and tighten the caliper bracket bolts.

TORQUE: 20–30 N·m (2.0–3.0 kg-m, 15–22 ft-lb)

