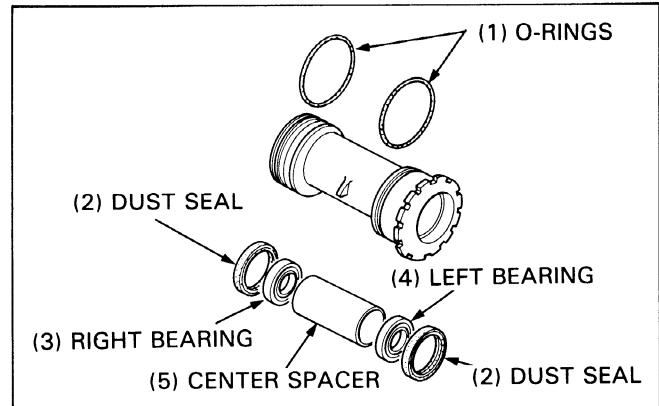


## REAR WHEELS

### BEARING REPLACEMENT

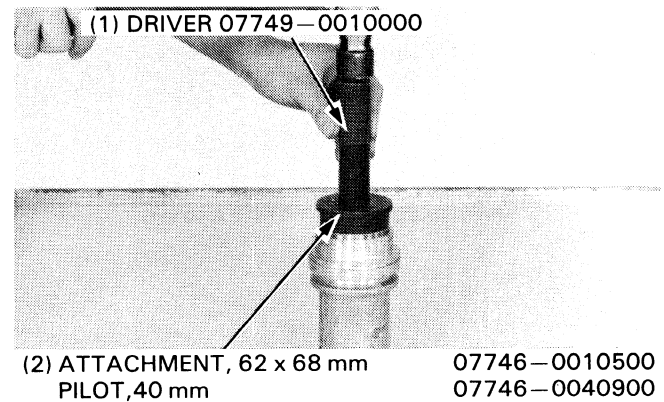
Remove the dust seals, bearings and center spacer from the bearing holder.



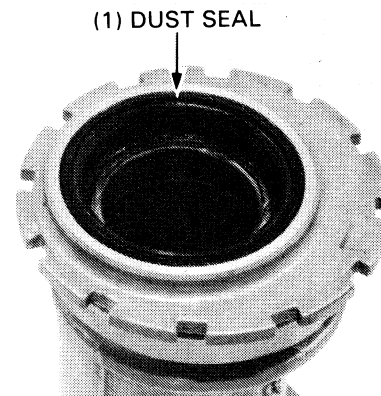
Drive a new right bearing into the bearing holder with the special tools.

Install the center spacer.

Drive a new left bearing into place with the same tools.



Apply grease to the lip of new dust seals and drive the dust seals into the bearing holder until their out side surfaces are flush with the end surfaces of the holder.



### BEARING HOLDER INSTALLATION

Install new O-rings in the grooves of the bearing holder.

Apply grease to the outside surfaces of the bearing holder and install it in the swing arm.

