

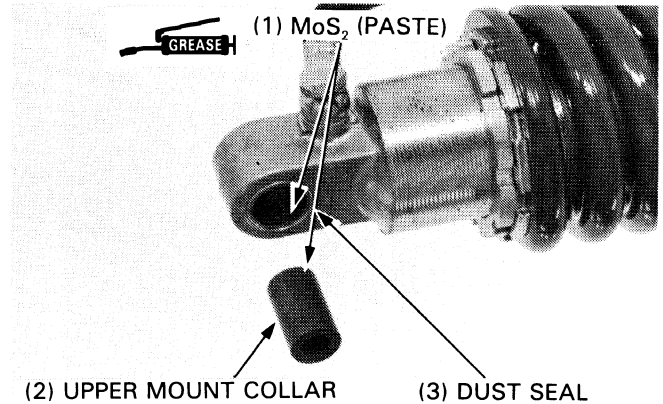
Apply a paste grease with 40% or more molybdenum disulfide to the upper mount collar and dust seals and install them into the upper mount.

NOTE

Some sources of MoS₂ paste grease with 40% or more molybdenum are:

- Molykote® G-n Paste manufactured by Dow Corning, U.S.A.
- Honda Moly 45 (U.S.A.)
- Locol Paste manufactured by Sumico Lubricant, Japan.
- Bel-Ray Moly-Lube MC-8, U.S.A.
- Sta Lube MP Grease #3141

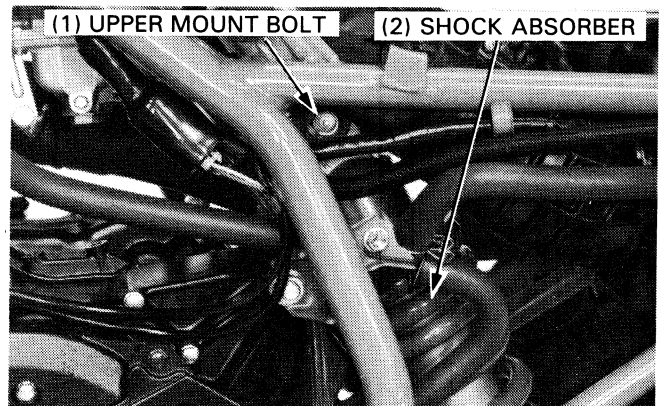
Any other manufacturer's paste grease equivalent to the above may also be used.



INSTALLATION

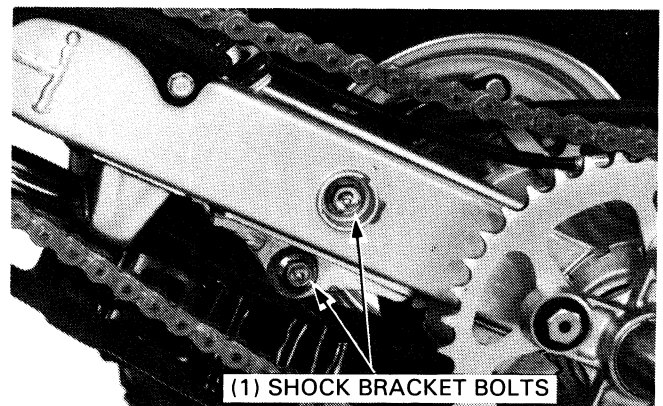
Connect the shock absorber upper mount to the frame and tighten the upper mount bolt.

TORQUE: 40–50 N·m (4.0–5.0 kg-m, 29–36 ft-lb)



Connect the shock bracket to the swing arm and tighten the bracket bolts.

TORQUE: 40–50 N·m (4.0–5.0 kg-m, 29–36 ft-lb)



Install the reservoir to the frame using the band and two bolts.

