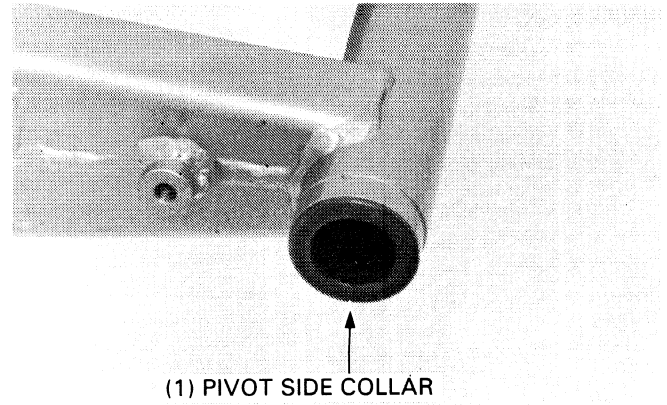


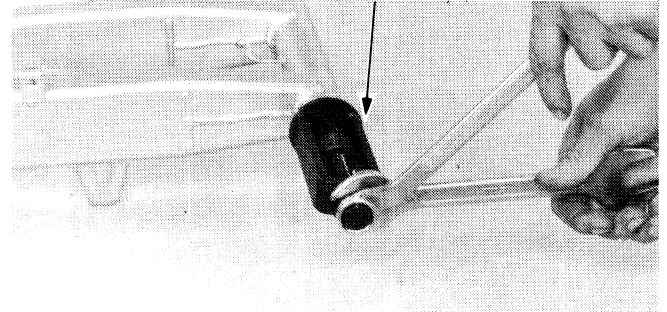
PIVOT BEARING REPLACEMENT

Remove the pivot side collars with a drift.



Remove the needle bearings using the special tool.

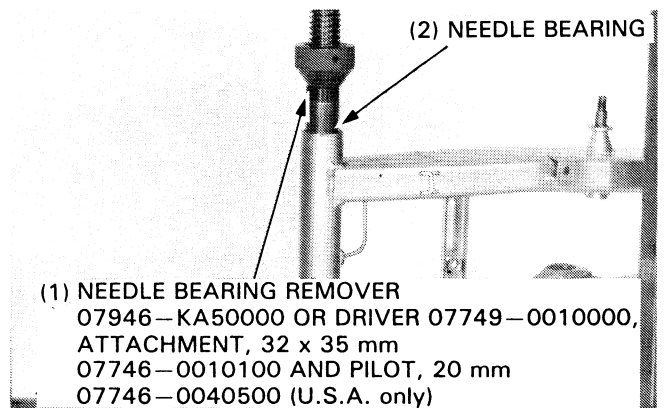
(1) NEEDLE BEARING REMOVER 07931—MA70000
OR BUSHING REMOVER M967X—038—XXXXX AND
COMMON DRIFT (U.S.A. only)



Press in new needle bearings until they are flush with the end surfaces of the pivot.

CAUTION

- *Install the needle bearings with their marked ends facing out.*



Place each pivot side collar on the needle bearing and press the side collars into the pivot.

