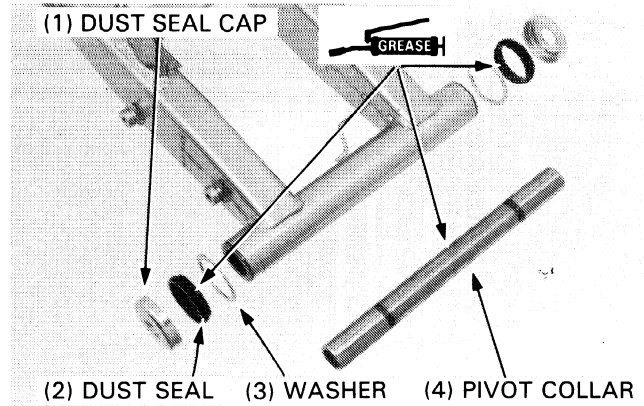


REAR SUSPENSION

INSTALLATION

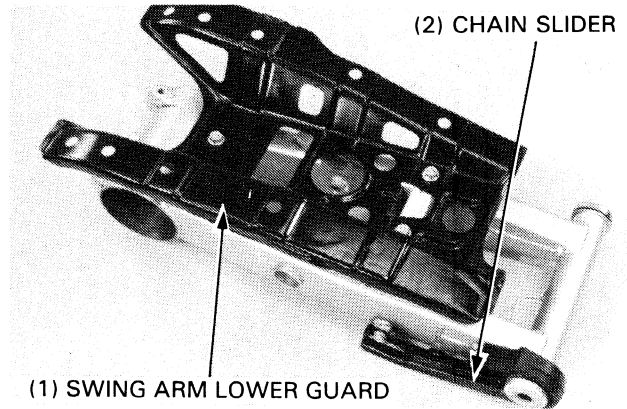
Apply grease to the pivot collar and the lips of the dust seals.

Install the pivot collar, washers, dust seals and dust seal caps onto the swing arm pivot.



Install the chain slider onto the swing arm using the bolts.

Install the swing arm lower guard with the bolts.



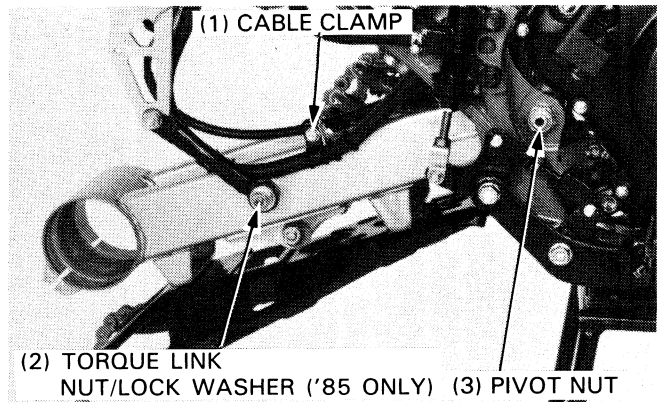
Place the swing arm into the frame and install the pivot bolt and nut. Tighten the pivot nut.

TORQUE: 70–110 N·m (7.0–11.0 kg-m, 51–80 ft-lb)

Install the brake hose and cable clamp onto the swing arm using the bolt.

Connect the brake torque link to the swing arm using the lock washer and nut ('85 ONLY).

TORQUE: 8–11 N·m (0.8–1.1 kg-m, 6–8 ft-lb)



Connect the shock bracket to the swing arm and tighten the bolts.

TORQUE: 40–50 N·m (4.0–5.0 kg-m, 29–36 ft-lb)

Install the following:

- rear wheel bearing holder (page 12-10)
- rear axle (page 12-6)
- rear wheels (page 12-3).

