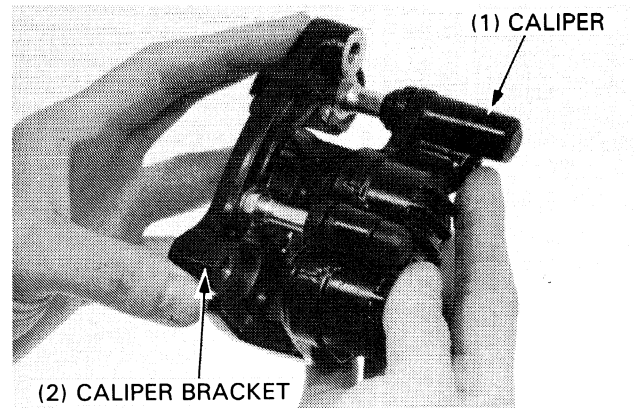


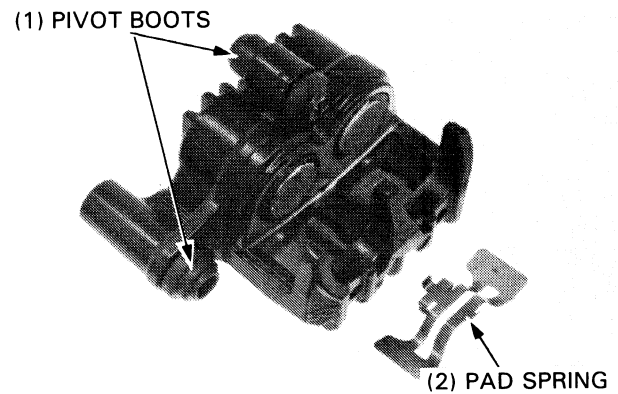
HYDRAULIC BRAKES

DISASSEMBLY

Remove the pad pin bolts and pads.
Remove the caliper bracket from the caliper.



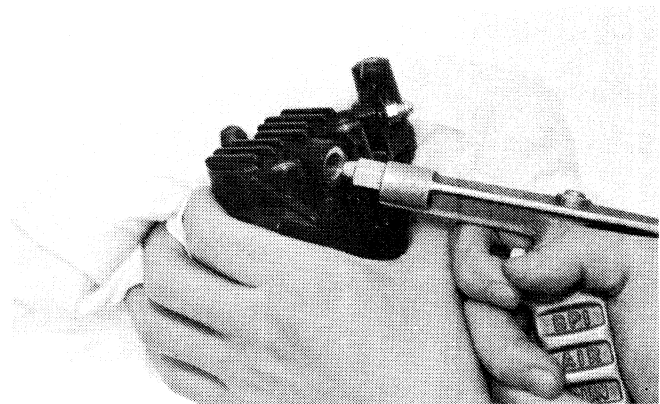
Remove the pad spring and caliper pivot boots.



Position the caliper with the pistons down and apply small squirts of air pressure to the fluid inlet to remove the pistons.

WARNING

- *Do not use high pressure air or bring the nozzle too close to the inlet.*
- *Place a shop towel over the piston to prevent the piston from becoming a projectile.*



Push the dust and piston seals in and lift them out.
Clean the seal grooves with clean brake fluid.

CAUTION

- *Be careful not to damage the piston sliding surfaces.*

