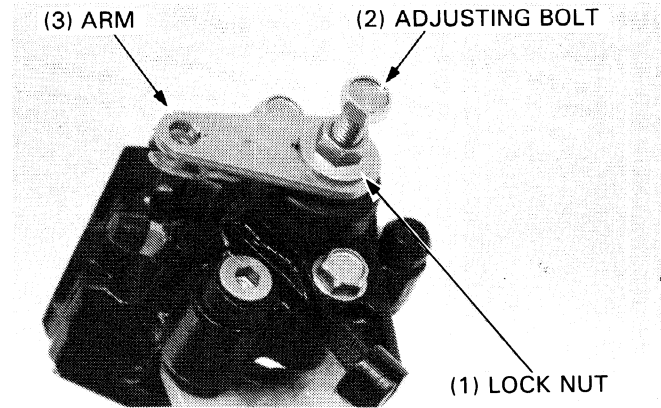


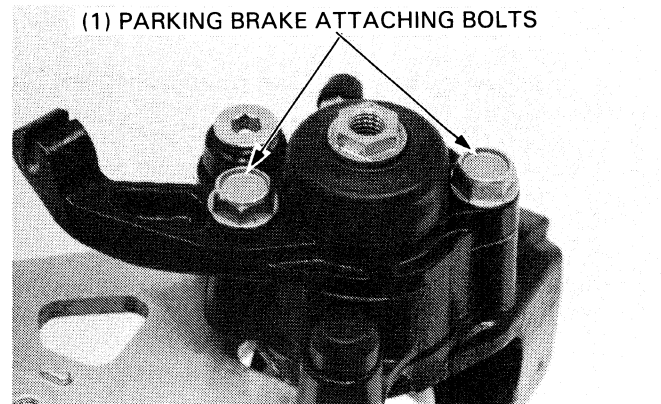
HYDRAULIC BRAKES

PARKING BRAKE MECHANISM

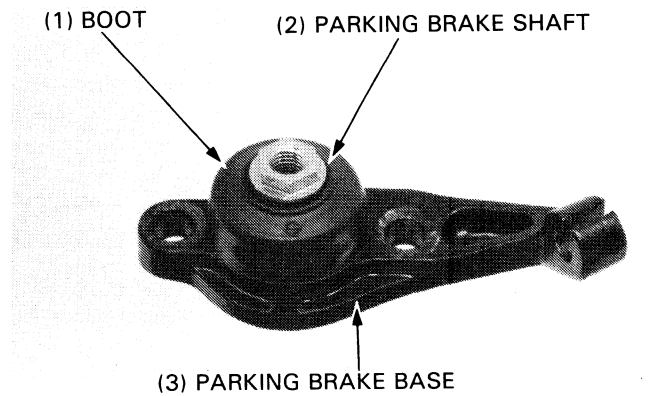
Loosen the lock nut and remove the adjusting bolt and arm.



Remove the parking brake attaching bolts and parking brake from the caliper.



Remove the boot and parking brake shaft from the brake base.



Check the boot for deterioration or damage.
Check the shaft and base threads for wear or damage.

