

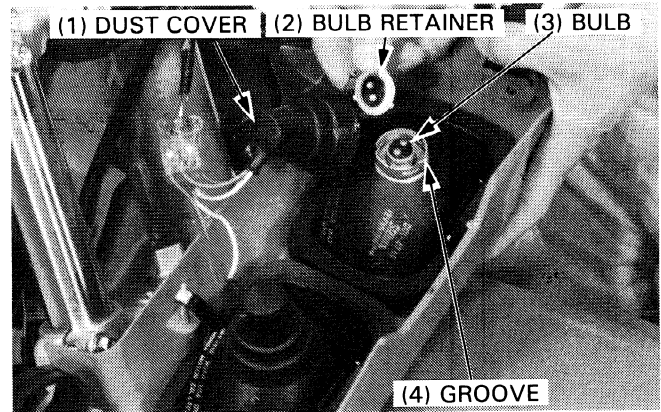
## ELECTRICAL SYSTEM

Remove the dust cover.

Remove the bulb retainer by turning it counterclockwise while pushing it in.

Replace the bulb with a new one. Align the tab on the bulb flange with the groove in the headlight.

Install the removed parts in the reverse order of removal.

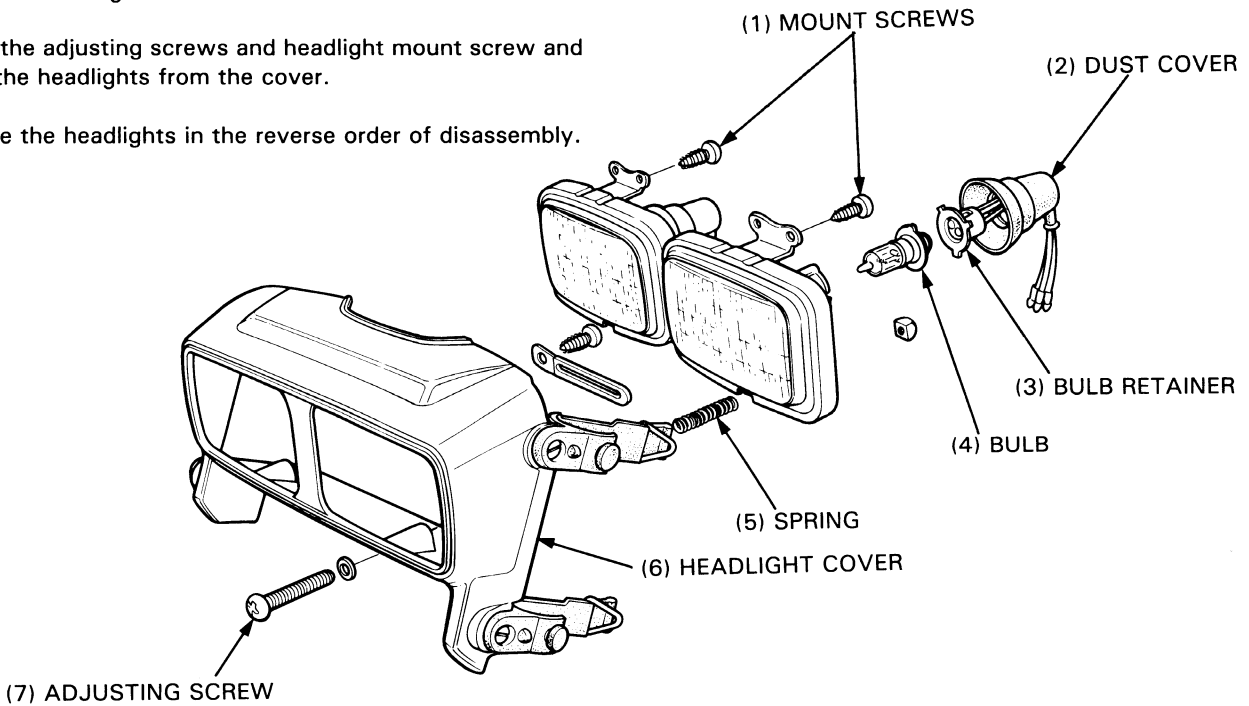


## HEADLIGHT DISASSEMBLY/ASSEMBLY

Remove the headlight.

Remove the adjusting screws and headlight mount screw and remove the headlights from the cover.

Assemble the headlights in the reverse order of disassembly.



## TAILLIGHT BULB REPLACEMENT

Remove the taillight lens by removing the two screws and nuts.

