

## Checking Spark Plug

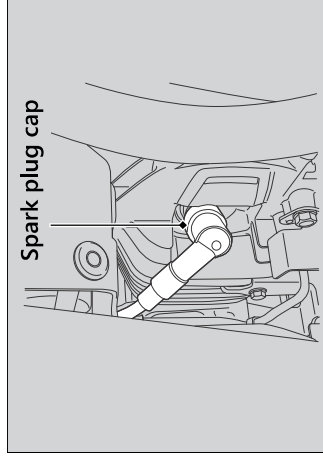
For the recommended spark plug, see "Specifications." **▶** P. 144

Use only the recommended type of spark plug in the recommended heat range.

### NOTICE

Using a spark plug with an improper heat range can cause engine damage.

1. Disconnect the spark plug cap from the spark plug.
2. Clean any dirt from around the spark plug base.
3. Remove the spark plug using a suitable spark plug wrench.



4. Inspect the electrodes and center porcelain for deposits, erosion or carbon fouling.
  - ▶ If the erosion or deposit is heavy, replace the plug.
  - ▶ Clean a carbon or wet-fouled plug with a plug cleaner, otherwise use a wire brush.