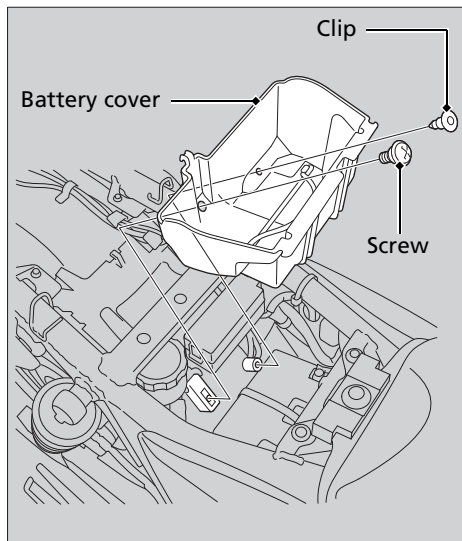


Battery



Removal

Make sure the ignition switch is off.

1. Remove the seat. ► P. 53
2. Remove the tool kit.
3. Remove the screw and clip. ► P. 55
4. Remove the battery cover.