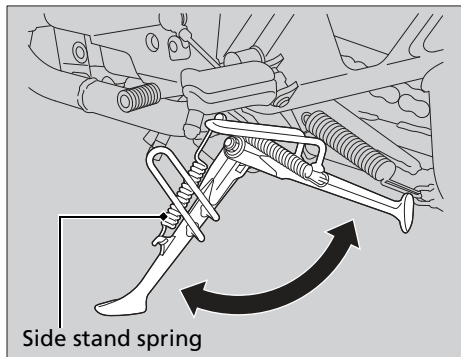


## Side Stand



1. Park your motorcycle on its center stand on a firm, level surface.
2. Check that the side stand operates smoothly. If the side stand is stiff or squeaky, clean the pivot area and lubricate the pivot bolt with clean grease.
3. Check the spring for damage or loss of tension.

4. Sit on the motorcycle, put the transmission in Neutral, and raise the side stand.
5. Start the engine, pull the clutch lever in, and shift the transmission into gear.
6. Lower the side stand all the way. The engine should stop as you lower the side stand. If the engine doesn't stop, have your motorcycle inspected by your dealer.