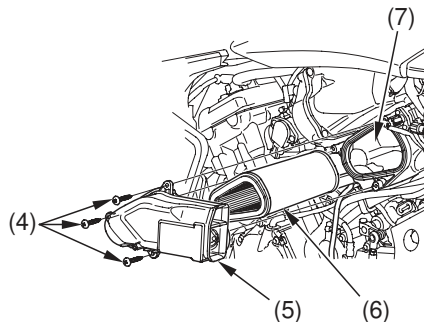


4. Remove the air cleaner housing cover screws (4) and air cleaner housing cover (5).
5. Pull out the air cleaner element (6) and clean the air cleaner element using compressed air from the outside, or replace it if necessary.
6. Thoroughly clean the inside of the air cleaner case (7).
7. Install the air cleaner element.
8. Install the removed parts in the reverse order of removal.

### LEFT SIDE



- (4) air cleaner housing cover screws
- (5) air cleaner housing cover
- (6) air cleaner element
- (7) air cleaner case