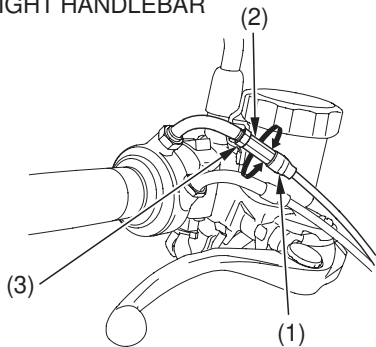


# Throttle

## Throttle Freeplay

Refer to *Safety Precautions* on page 78 .

### RIGHT HANDLEBAR



(1) throttle cable boot

(2) adjuster

(3) lock nut

### Inspection

Check freeplay at the throttle grip flange.

Freeplay:

1/16—3/16 in (2—4 mm)

If necessary, adjust to the specified range.

### Adjustment

1. Slide the throttle cable boot (1) off the adjuster (2).
2. Loosen the lock nut (3).
3. Turn the adjuster.
4. After adjustment, check for smooth rotation of the throttle grip from fully closed to fully open in all steering positions.
5. Tighten the lock nut and return the throttle cable boot securely over the adjuster.