

Indicators

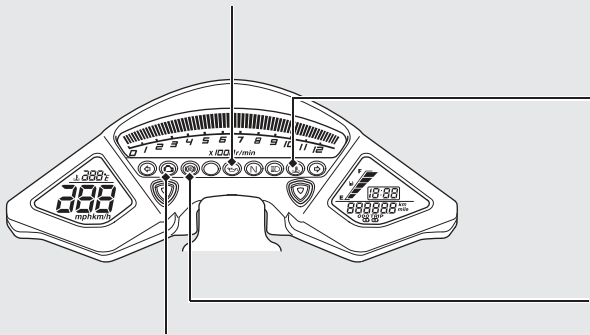


Low oil pressure indicator


Comes on when the ignition switch is turned on.

Goes off when the engine starts.

If it comes on while engine is running: ➔ P. 89



PGM-FI (Programmed Fuel Injection) malfunction indicator lamp (MIL)

Comes on briefly when the ignition switch is turned on with the engine stop switch in the Run  position.

If it comes on while engine is running: ➔ P. 89



High coolant temperature indicator

If it comes on while riding:

➔ P. 88



ABS (Anti-lock Brake System) indicator (CB1000R ABS only)

Comes on when the ignition switch is turned on. Goes off when your speed reaches approximately 6 mph (10 km/h).

If it comes on while riding:

➔ P. 90