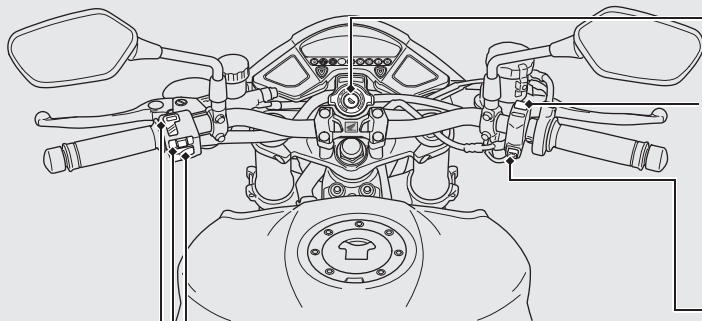


Switches




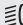
Horn button




Turn signal switch


- ▶ Pressing the switch turns the turn signal off.

Headlight dimmer switch

-  High beam
-  Low beam

Engine stop switch

Should normally remain in the Run  position.

- ▶ In an emergency, switch to the Off  position to stop the engine.



Start button

Headlight turns off when operating the starter motor.