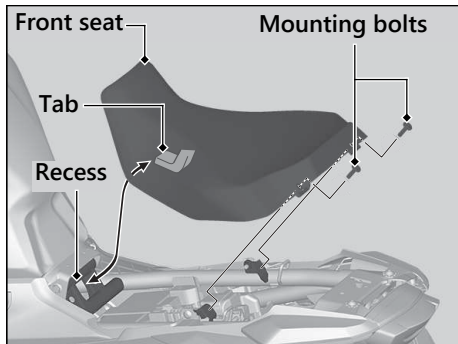


Front Seat

Removal



1. Remove the rear seat. ► P. 82
2. Remove the mounting bolts and then, pull the front seat back and up.

Installation

1. Install the front seat while inserting the tab into the recess.
2. Install the mounting bolts.
3. Tighten the mounting bolts securely. Make sure that the seat is locked securely in position by pulling it up lightly.