

Changing Engine Oil & Filter

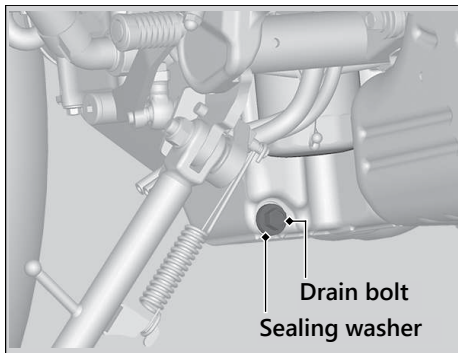
Changing the oil and filter requires special tools. We recommend that you have your vehicle serviced by your dealer.

Use a new Honda Genuine oil filter or equivalent specified for your model.

NOTICE

Using the wrong oil filter can result in serious damage to the engine.

1. If the engine is cold, idle the engine for 3 to 5 minutes.
2. Turn the ignition switch to the OFF position and wait for 2 to 3 minutes.
3. Place your vehicle on a firm, level surface.
4. Place a drain pan under the drain bolt.



5. Remove the oil fill cap/dipstick, drain bolt, and sealing washer to drain the oil.