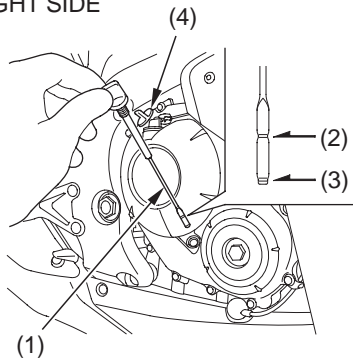


Checking & Adding Oil

Refer to *Safety Precautions* on page 92 .

RIGHT SIDE



- (1) dipstick (3) lower level mark
(2) upper level mark (4) oil filler cap

1. Park your motorcycle on its side stand on a firm, level surface.
2. Start the engine and let it idle for 3—5 minutes. Make sure the warning indicator and low oil pressure indicator go off. If the indicators remains on, stop the engine immediately.
3. Stop the engine and wait 2—3 minutes.
4. Remove the dipstick (1) and wipe it clean.
5. Hold the motorcycle in an upright position.
6. Insert the dipstick until it seats, but don't screw it in.

(cont'd)