

LAP TIME

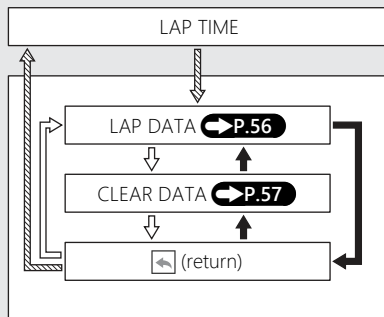
To Set the LAP TIME Menu

- 1 Select the "LAP TIME" menu on the main menu screen. ➡P.43
- 2 Select the menu by pressing the [SEL] ▲ (up) or [SEL] ▼ (down) button, and press the [MODE] button.

To end the setting

Select the ◀ (return) on the menu screen. The display returns to the "LAP TIME" menu on the main menu screen.

"LAP TIME" is selected



➡ Press the [MODE] button

➡ Press the [SEL] ▲ (up) button

➡ Press the [SEL] ▼ (down) button