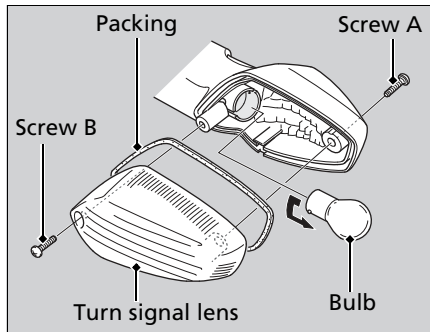


## Front/Rear Turn Signal Bulb

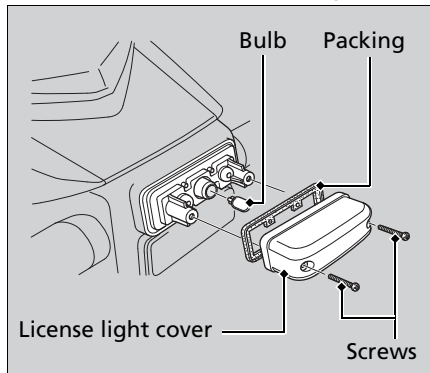
1. Remove the screw A and screw B.
2. Remove the turn signal lens and lens packing.
3. Slightly press the bulb and turn it counterclockwise.



4. Install a new bulb in the reverse order of removal.
  - ▶ Use only the amber bulb.

## License Plate Light

1. Remove the screws.
2. Remove the license light cover and license light cover packing.
3. Pull out the bulb without turning.



4. Install a new bulb in the reverse order of removal.