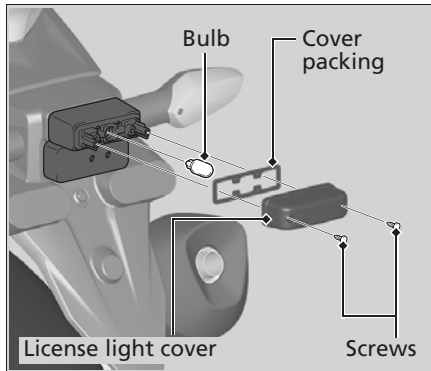


## License Plate Light

1. Remove the screws.
2. Remove the license light cover and license light cover packing.
3. Pull out the bulb without turning.



4. Install a new bulb in the reverse order of removal.