

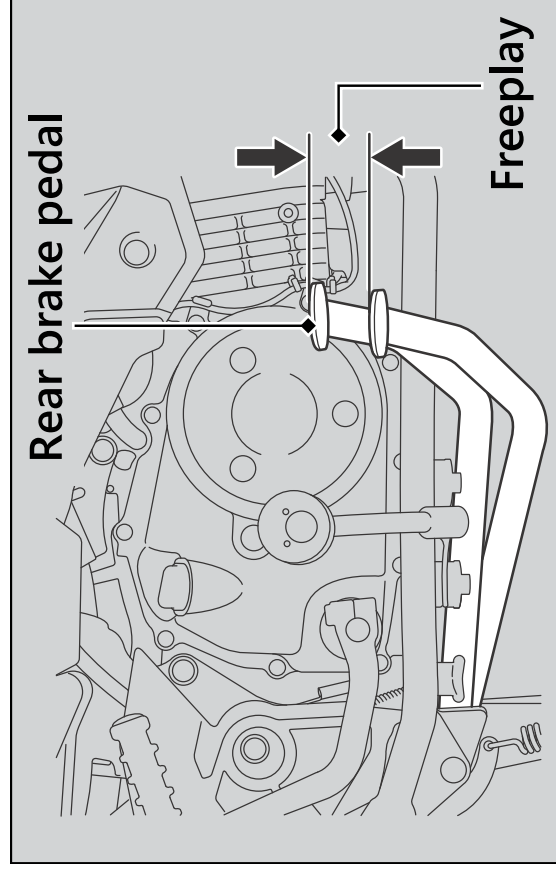
Inspecting the Rear Brake Pedal Freeplay

CFT125MS

1. Place your vehicle on its centre stand on a firm, level surface.
2. Measure the distance the rear brake pedal moves before the brake takes hold.

Freeplay at the tip of the brake pedal:

20 - 30 mm (0.8 - 1.2 in)



Make sure the brake rod, brake arm, spring and fastener are in good condition.