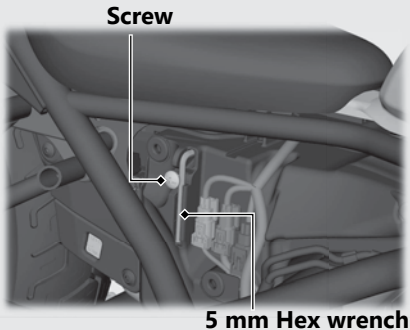


Storage Equipment

Tool Kit

The 5 mm Hex wrench is stored behind the right side cover.

To remove the 5 mm Hex wrench, loosen the screw with a coin.

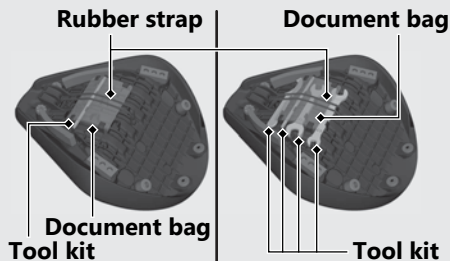


The tool kit is stored on the underside of the seat.

Store the tool kit with the document bag, and secure them with the rubber strap.

USA model

Canada model



Removing the Right Side Cover

➔ P.65

Removing the Seat ➔ P.64