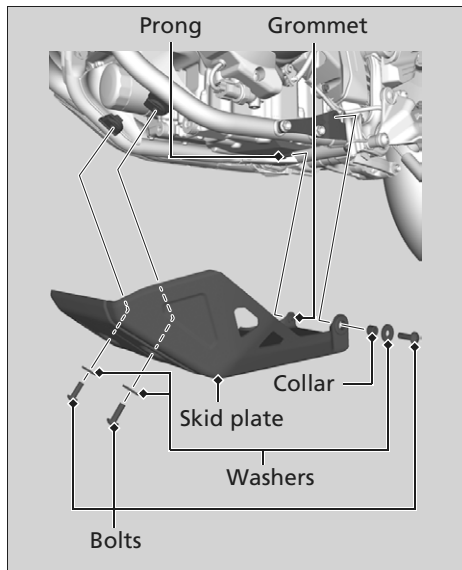


Skid Plate



Removal

1. Remove the bolts and washers.
2. Remove the collar.
3. Remove the skid plate by releasing its grommet from the prong.

Installation

1. Install the skid plate in the reverse order of removal.
2. Install the collar.
3. Install the washers onto the bolts. Tighten the bolts.

Torque: 19 lbf·ft (26 N·m, 2.7 kgf·m).