

Right handlebar switch

Engine stop switch/ START button

Should normally remain in the  (Run) position.

- ▶ In an emergency, switch to the  (Stop) position to stop the engine.
- ▶ To start the engine.

 **P.200**

AT/MT switch

CRF1100D/D4

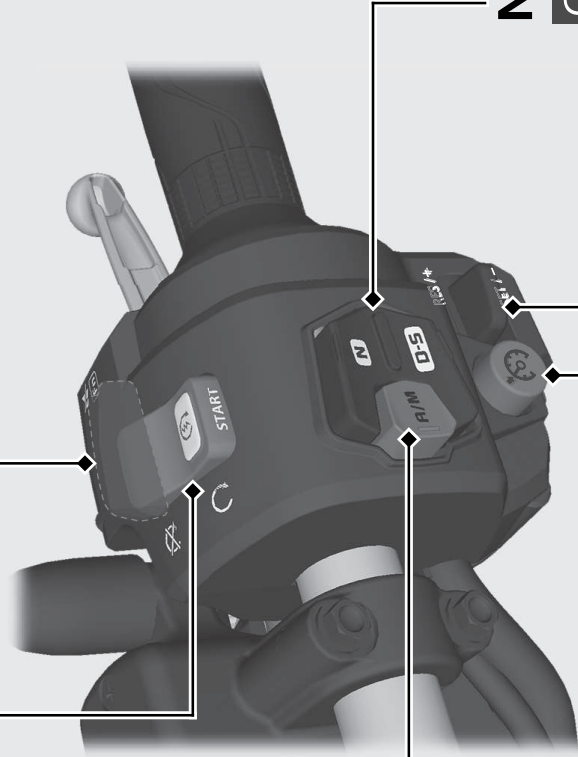
To shift between the AT MODE and MT MODE.

 **P.207**

Function sel switch



Press to display the pop-up information on the multi-information display.



N-D switch

CRF1100D/D4

To shift between Neutral and AT MODE.  **P.207**

Cruise control main switch

Press to activate the cruise control system.  **P.210**

RES / + SET / -

Push up or down to set the speed or adjust the set speed.  **P.212**