

6. Inspect the front and rear sprocket teeth for excessive wear or damage. If necessary, have your dealer replace a worn sprocket.

Damaged Sprocket
Teeth

Worn Sprocket
Teeth

REPLACE

REPLACE



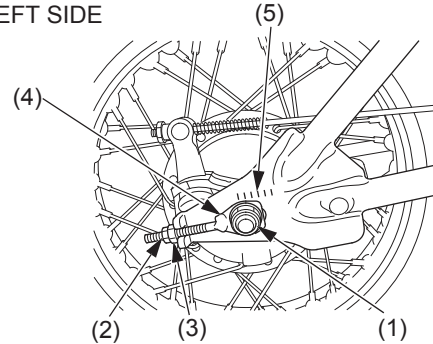
Normal Sprocket Teeth
GOOD

NOTICE

Use of a new chain with worn sprockets will cause rapid chain wear.

Adjustment

LEFT SIDE



- (1) rear axle nut
(2) lock nut
(3) adjusting nut

- (4) chain adjuster
(5) graduated scale

1. Loosen the rear axle nut (1).
2. Loosen the lock nuts (2) on both sides of the swingarm.

(cont'd)