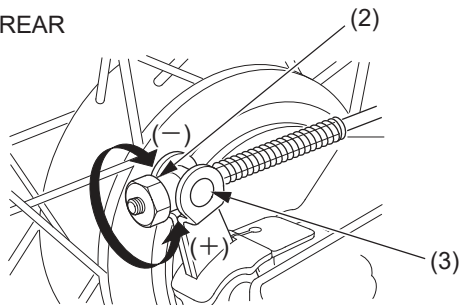


# Brakes

## Adjustment

### RIGHT REAR

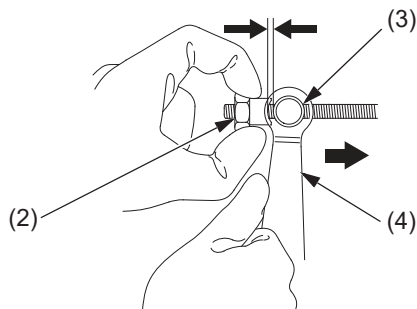


- (2) adjusting nut                      (+) increase freeplay  
(3) brake arm pin                    (-) decrease freeplay

1. Adjust by turning the rear brake adjusting nut (2) a half-turn at a time. Make sure the cut-out on the adjusting nut is seated on the brake arm pin (3).
2. Apply the brake, release it, and then spin the wheel and check that it rotates freely. Repeat this procedure several times.

3. Check the freeplay. If you can't adjust the freeplay properly, see your dealer.

After adjustment, push the brake arm (4) to confirm that there is a gap between the adjusting nut (2) and the brake arm pin (3).



- (2) adjusting nut                      (4) brake arm  
(3) brake arm pin

After adjustment, confirm the freeplay of the brake pedal.