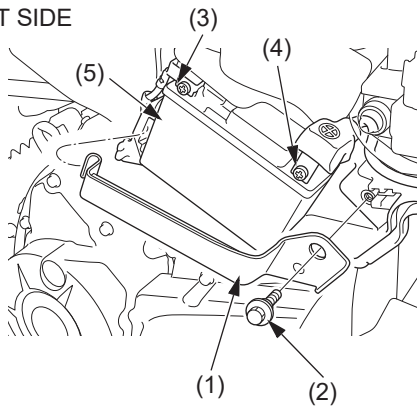


Battery

The battery is located in the battery compartment behind the left side cover.

LEFT SIDE



- (1) battery holder
- (2) bolt
- (3) negative (-) terminal lead
- (4) positive (+) terminal lead
- (5) battery

Removal

1. Make sure the ignition switch is ○ (OFF).
2. Remove the left side cover (page 54).
3. Remove the battery holder (1) by removing the bolt (2).
4. Disconnect the negative (-) terminal lead (3) from the battery first, then disconnect the positive (+) terminal lead (4).
5. Pull the battery (5) out of the battery compartment.