

Taking Care of the Unexpected

The main fuse and sub fuse are located behind the left side cover.

Recommended Fuse

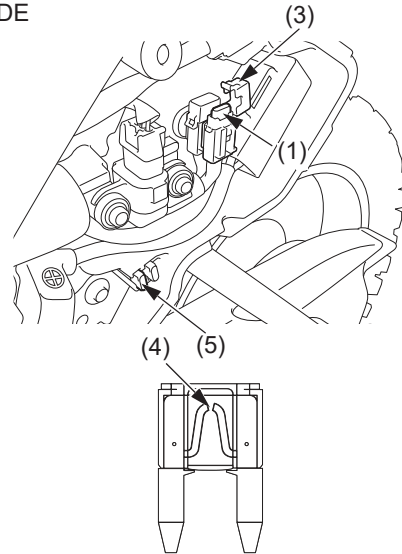
main fuse	10 A
sub fuse	5 A

1. To prevent an accidental short circuit, turn the ignition switch ○ (OFF) before checking or replacing the fuse.
2. For access the main fuse (1) and sub fuse (2), remove the left side cover (page 54).

Main Fuse Access:

3. Open the fuse case (3) and pull the fuse out.
If the main fuse is blown (4), install the spare main fuse (5).
4. Close the fuse case.

LEFT SIDE



(1) main fuse
(3) fuse case

(4) blown fuse
(5) spare main fuse

(cont'd)