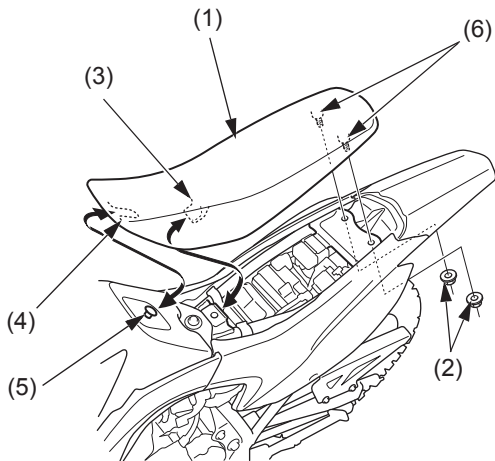


# Seat Removal

---

Refer to *Safety Precautions* on [page 45](#).



- |           |                |
|-----------|----------------|
| (1) seat  | (4) slot       |
| (2) nuts  | (5) stud       |
| (3) prong | (6) seat bolts |

The seat (1) must be removed to service the battery and fuse.

## Removal

1. Remove the nuts (2) under the rear fender.
2. Remove the seat up and back.

## Installation

1. Set the seat prong (3) into the hook on the frame while aligning the slot (4) of the seat with the stud (5) on the fuel tank.
2. Insert the seat bolts (6) into the frame.
3. Install the nuts and tighten them.