

# Taking Care of the Unexpected

The main fuse is located under the seat.  
The sub fuse is located behind the left side cover.

## Recommended Fuses

<b>main fuse</b>	<b>15 A</b>
<b>sub fuse</b>	<b>5 A</b>

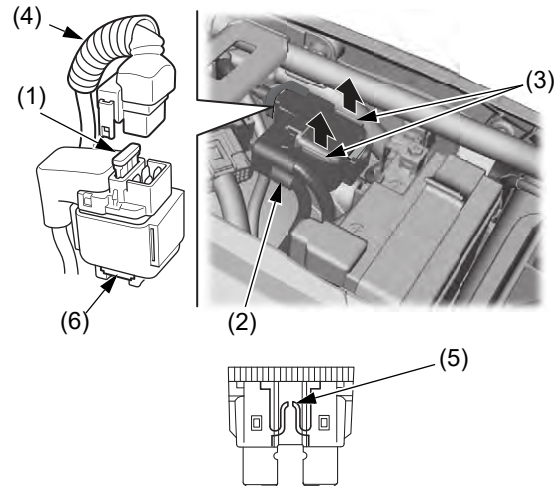
1. To prevent an accidental short circuit, turn the ignition switch OFF before checking or replacing the fuse.

### Main Fuse Access:

2. For access the main fuse (1), remove the seat (page 56).
3. Remove the starter magnetic switch (2) from the ribs (3).
4. Disconnect the wire connector (4) of the starter magnetic switch.
5. Pull the fuse out. If the main fuse is blown (5), install the spare main fuse (6).
6. Reconnect the wire connector.

7. Install the starter magnetic switch.
8. Install the seat.

### UNDER SEAT



- (1) main fuse  
(2) starter magnetic switch  
(3) ribs  
(4) wire connector  
(5) blown fuse  
(6) spare main fuse