

# Battery

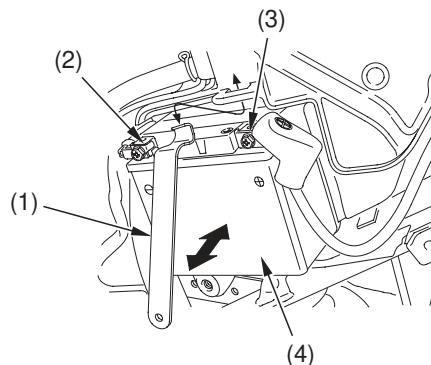
---

The battery is located in the battery compartment behind the left side cover.

## Removal

1. Make sure the ignition switch is OFF.
2. Remove the left side cover ([page 58](#)).
3. Remove the battery holder (1).
4. Disconnect the negative (–) terminal lead (2) from the battery first, then disconnect the positive (+) terminal lead (3).
5. Pull the battery (4) out of the battery compartment.

LEFT SIDE



- (1) battery holder
- (2) negative (–) terminal lead
- (3) positive (+) terminal lead
- (4) battery