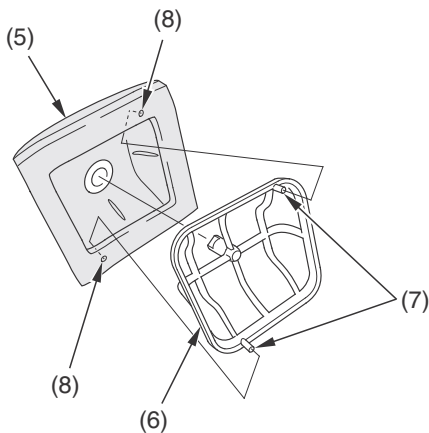


Air Cleaner



- | | |
|------------------------|-----------------------|
| (5) air cleaner | (7) tabs |
| (6) air cleaner holder | (8) air cleaner holes |

5. Remove the air cleaner holder (6) from the air cleaner (5).
6. Gently wash the air cleaner in clean, non-flammable (high flash point) solvent such as kerosene – not gasoline. After cleaning, gently squeeze out the remaining solvent. Avoid twisting or wringing the air cleaner. This can tear the foam.
7. Inspect for tears or cracks in the foam or seams of the air cleaner. Replace the air cleaner if it is damaged.
8. Allow the air cleaner to dry thoroughly before applying oil. A wet air cleaner will not fully absorb the oil.