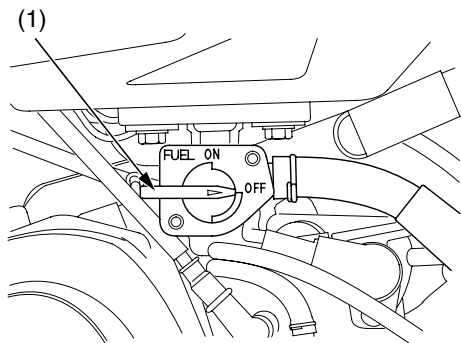


Fuel Tank

Refer to *Safety Precautions* on page 19.

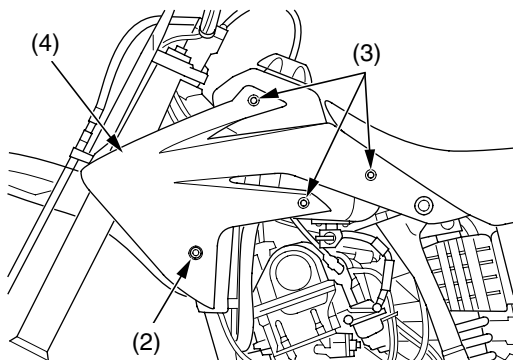
Removal

1. Turn the fuel valve (1) OFF.



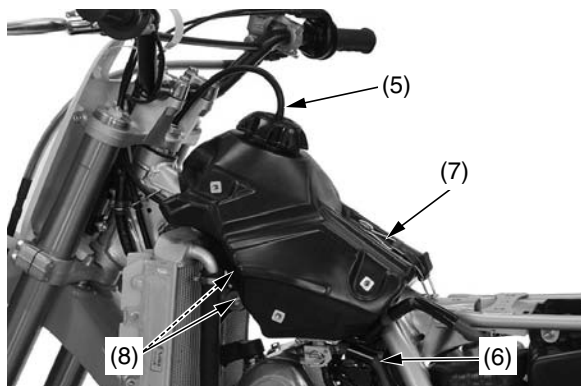
(1) fuel valve

2. Remove the shroud A bolts/collars (2).
3. Remove the shroud B bolts (3) and shrouds (4).



(2) shroud A bolt/collar
(3) shroud B bolts
(4) shroud

4. Remove the seat (page 29).
5. Pull the breather tube (5) out of steering stem nut.
6. Disconnect the fuel line (6).
7. Unhook the fuel tank band (7).
8. Remove the fuel tank bolts/washers (8).
9. Remove the fuel tank.



(5) breather tube
(6) fuel line
(7) fuel tank band
(8) fuel tank bolts/washers

⚠ WARNING

Gasoline is highly flammable and explosive. You can be burned or seriously injured when handling fuel.

- Stop the engine and keep heat, sparks and flame away.
- Handle fuel only outdoors.
- Wipe up spills immediately.