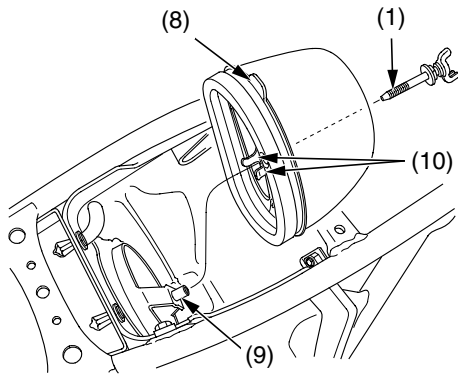


Air Cleaner

9. Install the air cleaner assembly into the air cleaner housing.
 - Install the air cleaner assembly with the air cleaner element tab (8) facing up.
 - Position the air cleaner element stay boss (9) between the air cleaner holder tabs (10).
10. Install and tighten the air cleaner retaining bolt (1).



- (1) air cleaner retaining bolt
- (8) air cleaner element tab
- (9) air cleaner element stay boss
- (10) air cleaner holder tabs

NOTICE

Improper installation of the air cleaner assembly may allow dirt and dust to enter the engine and cause rapid wear of the piston rings and cylinder.

11. Install the seat ([page 29](#)).