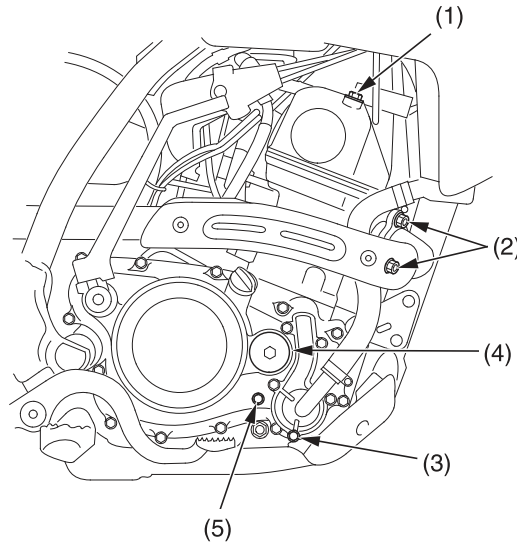


Nuts, Bolts, Fasteners

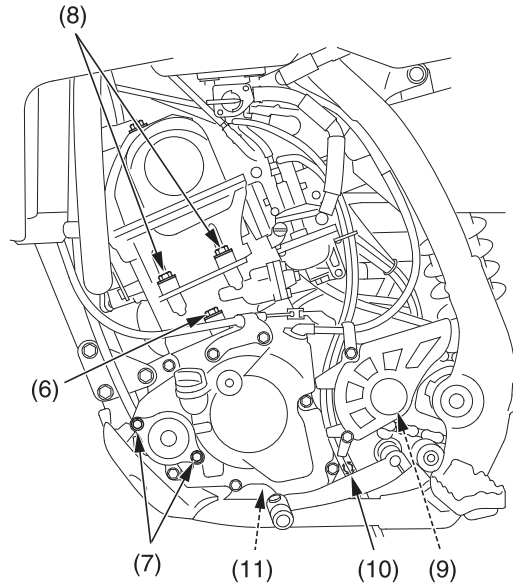
Check and tighten nuts, bolts, and fasteners before every outing.

Engine

RIGHT SIDE



LEFT SIDE



ENGINE

Item	Torque			Remarks
	lb•ft	N•m	kgf•m	
1	7	10	1.0	
2	8	11	1.1	
3	7	10	1.0	
4	11	15	1.5	NOTE 5
5	7	10	1.0	
6	7	10	1.0	
7	7	10	1.0	
8	7	10	1.0	
9	10	13	1.3	
10	16	22	2.2	NOTE 3
11	16	22	2.2	NOTE 3

NOTES: 1. U-nut.

2. UBS nut.

3. Apply oil to the threads and seating surface.

4. Alock bolt.

5. Apply grease to the threads.

6. Apply locking agent to the threads.