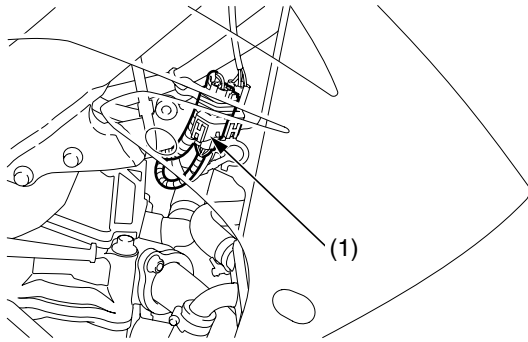


Fuel System

Fuel Pressure Increasing

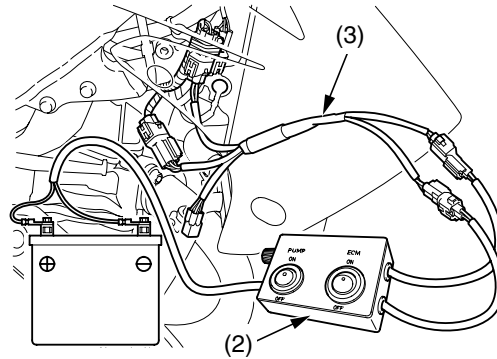
Make sure the fuel remains enough (0.3 US gal (1.0 ℓ) minimum) in the fuel tank and add fuel if necessary before increasing fuel pressure.

1. Connect the fuel pump sub-harness connector (1).



(1) fuel pump sub-harness connector

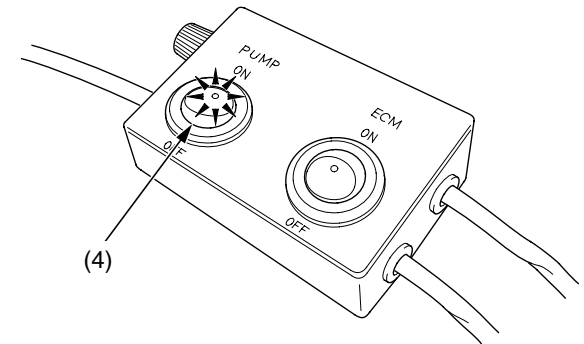
2. Before connecting the battery harness cables to a 12V battery, make sure that the battery harness selector switches are OFF.
3. Connect the battery harness (2) and battery harness adapter (3) between the main and sub-harness as shown.
Connect the battery harness positive (+) cable first, then connect the battery harness negative (-) cable to a 12V battery terminals.
 - Battery harness 070MZ-MEN0100
 - Battery harness adapter 070MZ-KRN0100



(2) battery harness
(3) battery harness adapter

4. Position the fuel tank on the main frame.
5. Turn the "PUMP" selector switch (4) ON.
The selector switches can be used to change power delivery as follows:
 - "ECM" selector switch ON:
Power to ECM only.
 - "PUMP" selector switch ON:
Power to fuel pump only.
 - Both selector switches ON:
Power to ECM and fuel pump.

6. Run the fuel pump for about 3 – 5 seconds, and fuel pressure will rise.
7. Turn the "PUMP" selector switch OFF.
Check that there is no leakage in the fuel line.



(4) "PUMP" selector switch

8. Remove the battery harness.