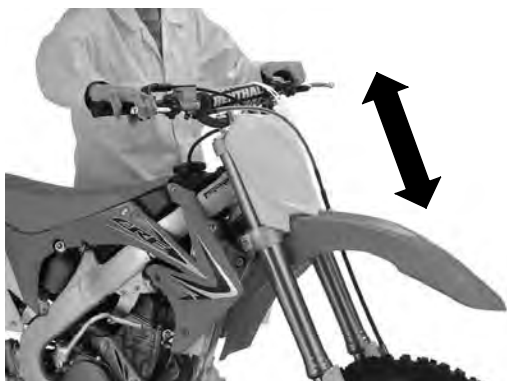
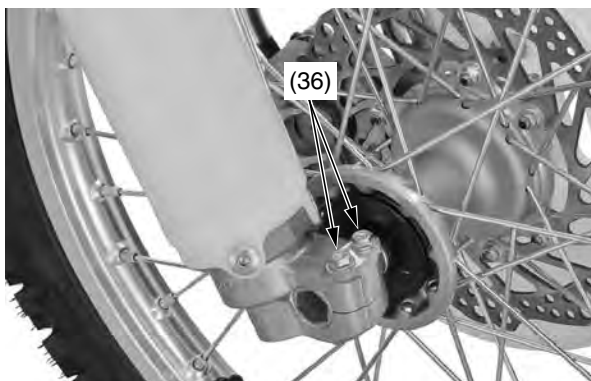


## Front Suspension Adjustments

32. With the front brake applied, pump the fork up and down several times to seat the axle and check front brake operation.



33. While keeping the forks parallel, alternately tighten the right axle pinch bolts (36) to the specified torque:  
15 lbf·ft (20 N·m, 2.0 kgf·m)

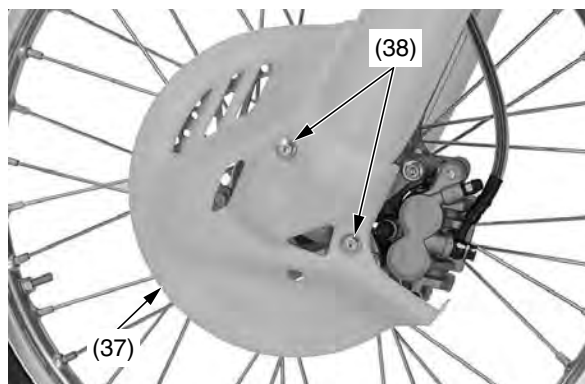


(36) right axle pinch bolts

### NOTICE

*To avoid damage when torquing the axle pinch bolts, be sure the axle is seated firmly onto the left fork leg clamp inner surface.*

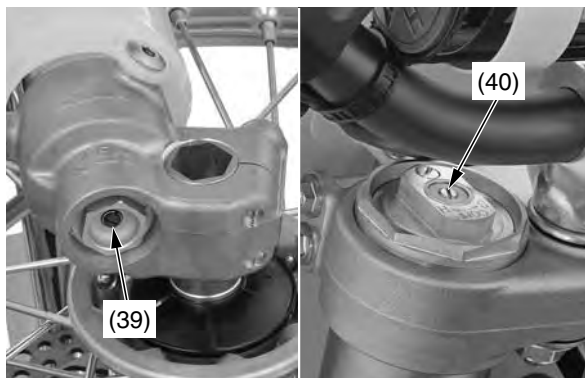
34. Install the disc cover (37) and tighten the disc cover socket bolts (38) to the specified torque:  
10 lbf·ft (13 N·m, 1.3 kgf·m)



(37) disc cover

(38) disc cover socket bolts

35. Turn the rebound damping (39) and compression damping (40) adjuster screws back to their original settings.



(39) rebound damping adjuster

(40) compression damping adjuster