

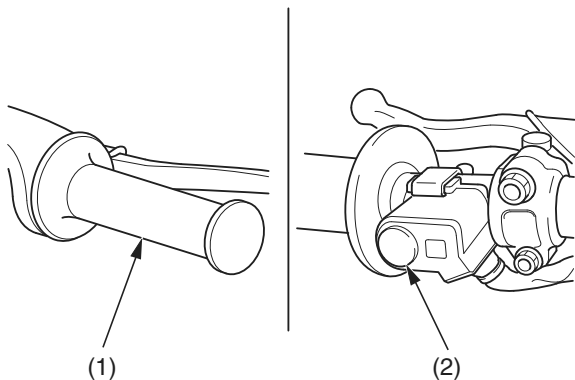
# Starting & Stopping the Engine

---

## How to Stop the Engine

### Normal Engine Stop

1. Shift the transmission into neutral.
2. Lightly open the throttle (1) two or three times, and then close it.
3. Push and hold the engine stop button (2) until the engine stops completely.



(1) throttle

(2) engine stop button

### Emergency Engine Stop

To stop the engine in an emergency, push and hold the engine stop button.