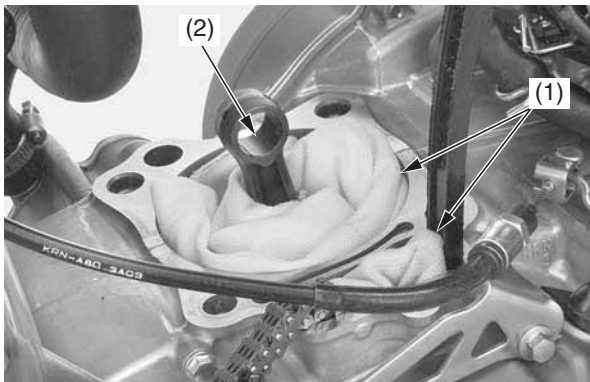


Piston/Piston Rings/Piston Pin

Piston Installation

1. Place clean shop towels (1) over the crankcase opening to keep the piston pin clips from falling into the crankcase.
2. Apply molybdenum disulfide oil (a mixture of 1/2 engine oil and 1/2 molybdenum disulfide grease containing more than 3% molybdenum disulfide additive) to the connecting rod small end (2) inner surface.

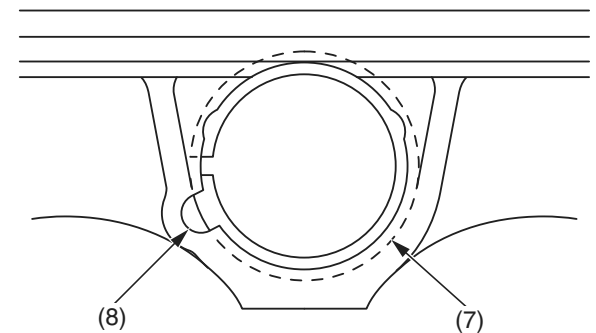
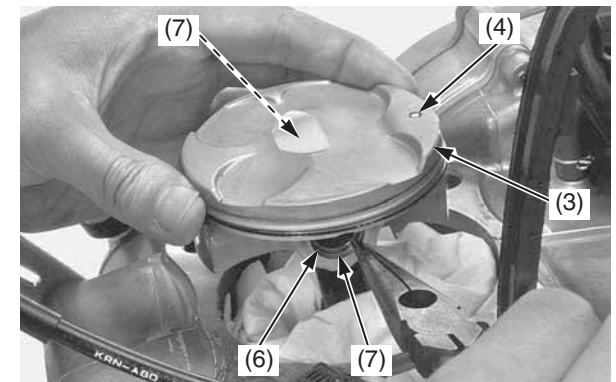
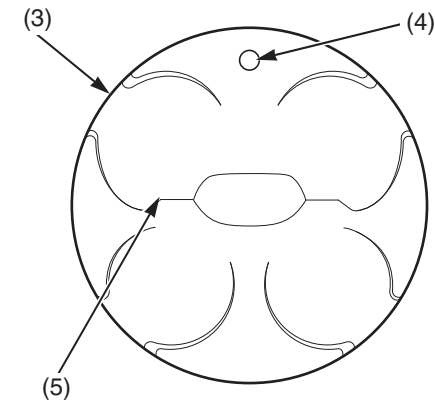


(1) shop towels
(2) connecting rod small end

3. Install the piston (3) with the “○” mark (4) and/or the large valve recesses (5) facing the intake side of the engine.
4. Apply molybdenum disulfide oil (a mixture of 1/2 engine oil and 1/2 molybdenum disulfide grease containing more than 3% molybdenum disulfide additive) to the piston pin (6) outer surface. Apply engine oil to the piston outer surface and piston pin hole inner surface. Install the piston pin and new piston pin clips (7).

NOTICE

*Use new pin clips. Never reuse old clips.
Do not let the clips fall into the crankcase.
Do not align the piston pin clip end gap with the piston cut-out (8).*



(3) piston
(4) “○” mark
(5) large valve recess
(6) piston pin
(7) piston pin clips (new)
(8) piston cut-out