

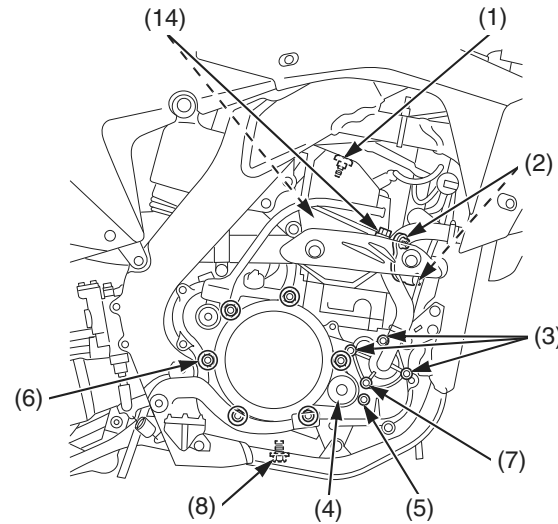
## Nuts, Bolts, Fasteners

Check and tighten nuts, bolts, and fasteners before every outing.

### ENGINE

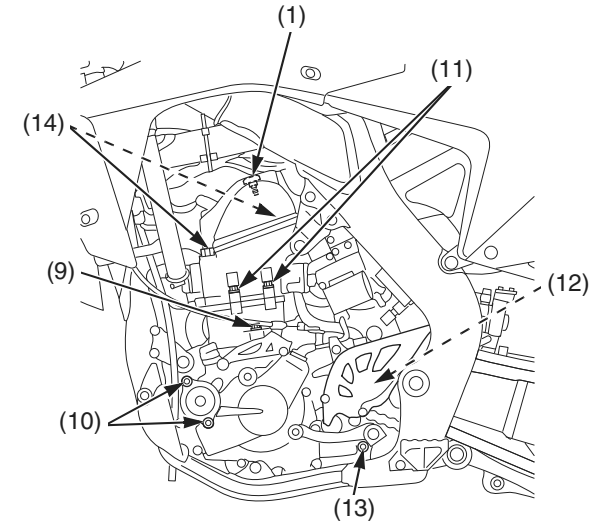
Item	Torque		
	lbf-ft	N-m	kgf-m
1 Cylinder head cover bolts	7	10	1.0
2 Exhaust pipe joint nuts	15	21	2.1
3 Water pump cover bolts	7	10	1.0
4 Crankshaft hole cap	11	15	1.5
5 Transmission oil check bolt	9	12	1.2
6 Clutch cover bolts	7	10	1.0
7 Coolant drain bolt	7	10	1.0
8 Engine oil drain bolt	12	16	1.6
9 Cylinder bolt	7	10	1.0
10 Oil filter cover bolts	9	12	1.2
11 Cylinder head A bolts	7	10	1.0
12 Drive sprocket bolt	23	31	3.2
13 Transmission oil drain bolt	12	16	1.6
14 Cylinder head B bolts	33	45	4.6

### RIGHT SIDE



- (1) cylinder head cover bolts
- (2) exhaust pipe joint nuts
- (3) water pump cover bolts
- (4) crankshaft hole cap
- (5) transmission oil check bolt
- (6) clutch cover bolts
- (7) coolant drain bolt
- (8) engine oil drain bolt

### LEFT SIDE



- (9) cylinder bolt
- (10) oil filter cover bolts
- (11) cylinder head A bolts
- (12) drive sprocket bolt
- (13) transmission oil drain bolt
- (14) cylinder head B bolts