

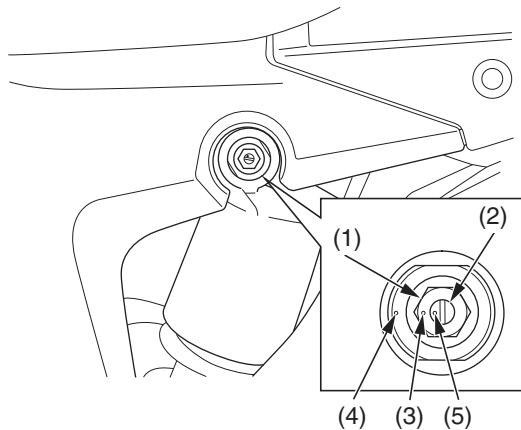
Rear Suspension Damping

Compression Damping

Compression damping may be adjusted in two stages with separate adjusters.

The high speed damping adjuster (1) is effective when damping adjustment is desired for high speed operation. The low speed damping adjuster (2) should be used when damping adjustment is desired at relatively low speeds.

- When adjusting the compression damping adjusters, make sure to use the proper size tool to avoid damage.
- Both the high and low speed compression damping can be increased by turning the appropriate adjuster clockwise.
- Adjust the high speed compression adjuster in 1/4 turn increments.
- Be sure the low speed compression adjuster is firmly located in a detent, and not between positions.



- (1) high speed damping adjuster
 (2) low speed damping adjuster
 (3) high speed damping adjuster punch mark
 (4) adjuster body punch mark
 (5) low speed damping adjuster punch mark

High Speed Damping:

The high speed damping can be adjusted by turning the hexagonal portion of the compression adjuster.

The high speed damping adjuster has 3 1/2 turn or more.

To adjust to the standard position:

1. Turn the adjuster clockwise (harder) until it will no longer turn (lightly seats).
2. Turn the adjuster counterclockwise (softer) 2 3/4 – 3 1/4 turns and adjust it until the punch mark (3) on the adjuster and the punch mark (4) on the adjuster body are aligned.

Low Speed Damping:

The low speed damping can be adjusted by turning the center screw of the compression adjuster.

The low speed compression adjuster has 13 positions or more.

Turning the adjuster one full turn clockwise advances the adjuster 4 positions.

To adjust to the standard position:

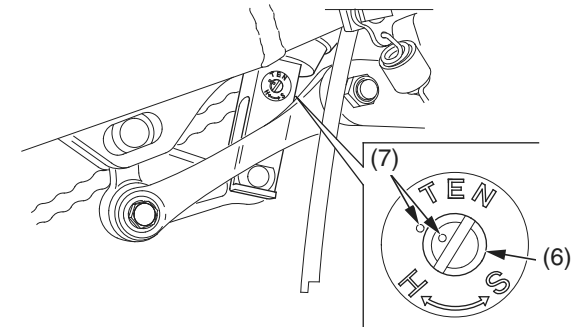
1. Turn the adjuster clockwise (harder) until it will no longer turn (lightly seat). Turn the adjuster counterclockwise (softer) until it clicks. This click is position 1.
2. Set the adjuster position 10 (10th click) and adjust it until the punch mark (5) on the adjuster and the punch mark (4) on the adjuster body are aligned.

Rebound Damping

The rebound damping adjuster (6) is located at the lower end of the rear shock absorber.

It has 17 positions or more. Turning the adjuster one full turn advances the adjuster 6 positions.

- When adjusting the rebound damping adjuster, make sure to use the proper size tool to avoid damage.
- Rebound damping can be increased by turning the adjuster clockwise.
- Be sure that the rebound adjuster is firmly located in a detent, and not between positions.



(6) rebound damping adjuster (7) punch marks

To adjust to the standard position:

1. Turn the adjuster clockwise (harder) until it will no longer turn (lightly seat). Turn the adjuster counterclockwise (softer) until it clicks. This click is position 1.
2. Set the adjuster position 7 (7th click) and adjust it until the punch marks (7) on the adjuster and the rear shock absorber are aligned.