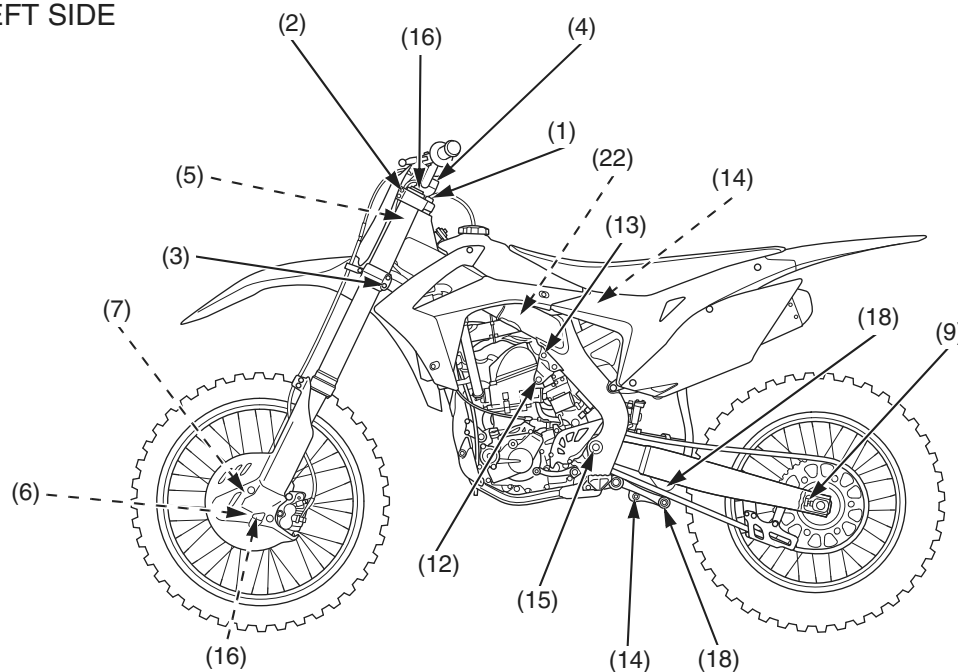
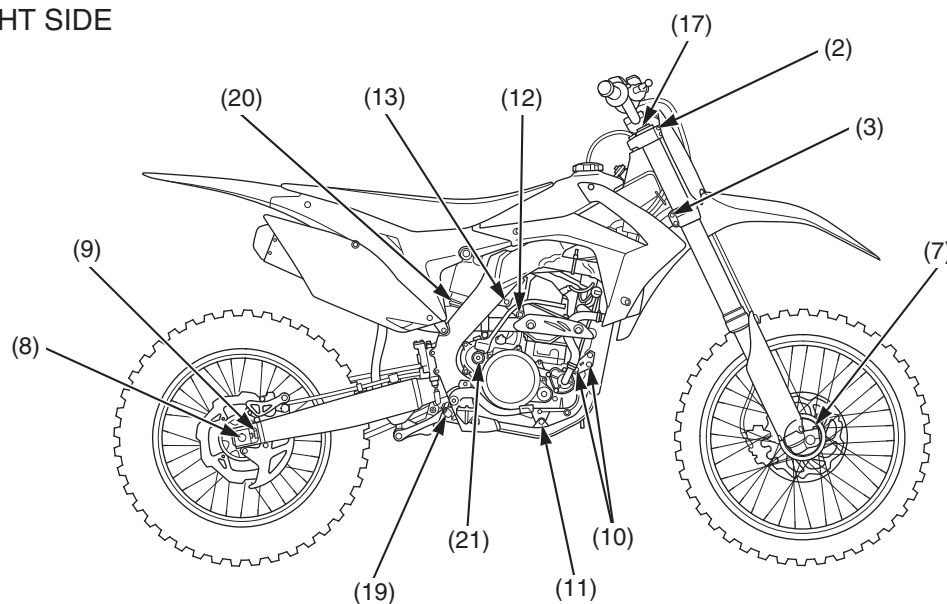


LEFT SIDE



RIGHT SIDE



FRAME

| Item | Torque | | | Remarks | |
|------|--|----------|----------|------------|------------------------|
| | lbf-ft | N-m | kgf-m | | |
| 1 | Steering stem nut | 80 | 108 | 11.0 | |
| 2 | Fork bridge upper pinch bolts | 16 | 22 | 2.2 | |
| 3 | Fork bridge lower pinch bolts | 15 | 20 | 2.0 | |
| 4 | Handlebar upper holder bolts | 16 | 22 | 2.2 | |
| 5 | Handlebar lower holder nuts | 32 | 44 | 4.5 | NOTE 1 |
| 6 | Front axle nut | 65 | 88 | 9.0 | |
| 7 | Axle pinch bolts | 15 | 20 | 2.0 | |
| 8 | Rear axle nut | 94 | 128 | 13.1 | NOTE 1 |
| 9 | Chain adjuster lock nuts | 20 | 27 | 2.8 | NOTE 2 |
| 10 | Front engine hanger nuts | 40 | 54 | 5.5 | |
| | Front engine hanger plate nuts | 19 | 26 | 2.7 | |
| 11 | Lower engine hanger nut | 40 | 54 | 5.5 | |
| 12 | Cylinder head hanger bolts | 40 | 54 | 5.5 | |
| 13 | Cylinder head hanger plate bolts | 24 | 32 | 3.3 | |
| 14 | Rear suspension (upper) | 32 | 44 | 4.5 | NOTE 1 |
| | (lower) | 32 | 44 | 4.5 | NOTE 1 |
| 15 | Swingarm pivot nut | 65 | 88 | 9.0 | NOTE 1 |
| 16 | Left fork | | | | |
| | (air cylinder unit) | 56 | 76 | 7.7 | |
| | (balance chamber valve cap) | 0.4 | 0.5 | 0.1 | |
| 17 | Right fork | | | | |
| | (fork cap assembly) (fork damper) | 22 56 | 30 76 | 3.1 7.7 | |
| 18 | Rear shock arm nuts | | | | |
| | (swingarm side: nut width 17 mm) (shock link side: nut width 19 mm) | 39 39 | 53 53 | 5.4 5.4 | NOTE 1, 6 NOTE 1, 6 |
| 19 | Rear shock link nut | 39 | 53 | 5.4 | NOTE 1, 6 |
| 20 | Rear shock spring lock nut | 32 | 44 | 4.5 | |
| 21 | Kickstarter arm bolt | 28 | 38 | 3.9 | NOTE 5 |
| 22 | Fuel pump mounting bolts | 8 | 11 | 1.1 | |

NOTES: 1. U-nut
 2. UBS nut
 5. Alock bolt: replace with a new one.
 6. Apply molybdenum oil to the threads and flange surface.