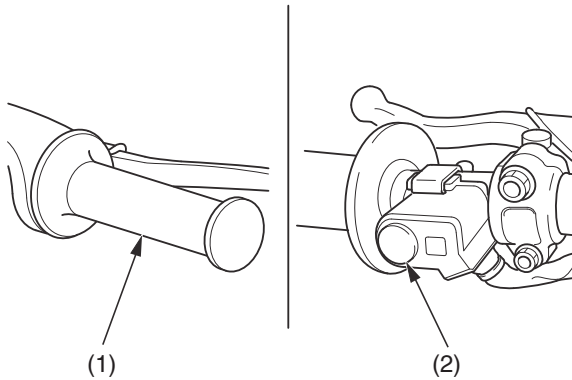


Starting & Stopping the Engine

How to Stop the Engine

Normal Engine Stop

1. Shift the transmission into neutral.
2. Lightly open the throttle (1) two or three times, and then close it.
3. Push and hold the engine stop button (2) until the engine stops completely.



(1) throttle

(2) engine stop button

Emergency Engine Stop

To stop the engine in an emergency, push and hold the engine stop button.