

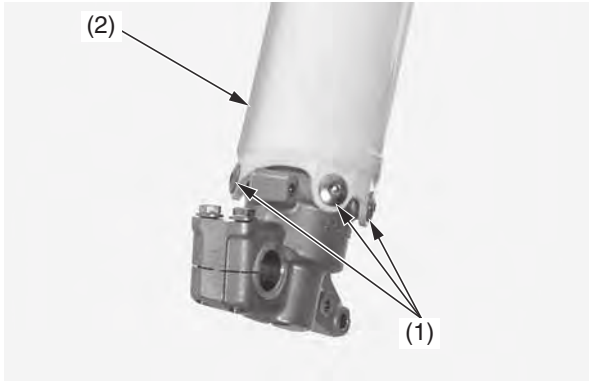
# Suspension

## Left Fork Oil Change

Refer to *Fork Removal* on page 89 for front suspension removal.

### Outer Tube Fork Oil Replacement

1. Remove the fork protector socket bolts (1) and fork protector (2).



- (1) fork protector socket bolts  
(2) fork protector

2. Clean the fork assembly, especially the sliding surface of the slider and dust seal.

3. Remove the valve caps and clean the area around the air valves.
4. Release the air pressure from the inner chamber by pressing the inner chamber air valve (3) center.

When releasing air pressure from the inner chamber, the fork will be shortened.

5. Release the air pressure from the outer chamber by pressing the outer chamber air valve (4) center.

When releasing air pressure from the outer chamber, the fork will be shortened.

6. Place a shop towel over the balance chamber air valve (5). Release the air pressure from the balance chamber by pressing the valve center.

When releasing air pressure from the balance chamber, the fork will be extended.

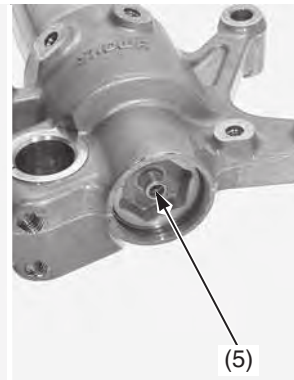
Spraying a small amount of fork oil from the balance chamber air valve is normal when releasing air pressure from the balance chamber. This will not affect the fork performance.

Inner chamber:



- (3) inner chamber air valve  
(4) outer chamber air valve

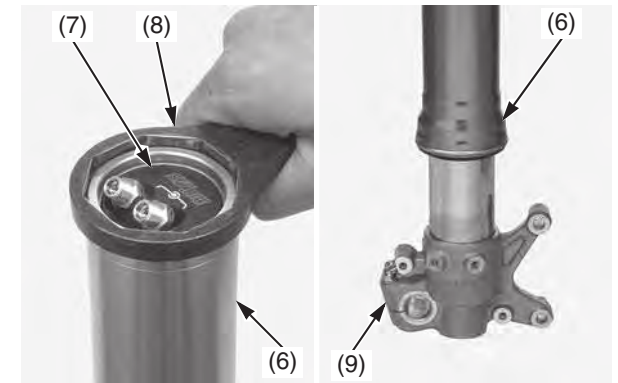
Balance chamber:



- (5) balance chamber air valve

7. Hold the outer tube (6), then remove the air cylinder unit (7) from the outer tube using a lock nut wrench (8). Gently slide the outer tube down onto the lower end (axle holder) (9).

- Lock nut wrench 07WMA-KZ30100

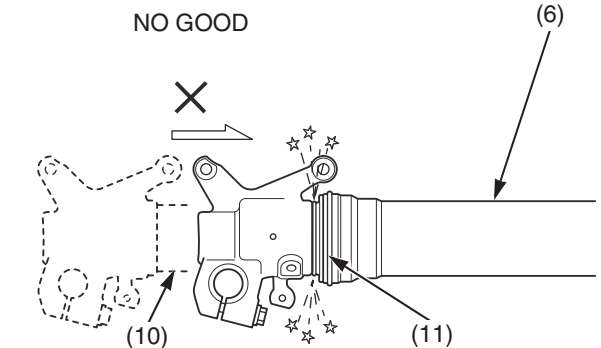


- (6) outer tube  
(7) air cylinder unit

- (8) lock nut wrench  
(9) axle holder

### NOTICE

The outer tube (6) can drop on the slider (10) and damage the fork dust seal (11). To avoid damage, hold both the outer tube and slider when removing the fork damper.



- (6) outer tube  
(10) slider

- (11) fork dust seal