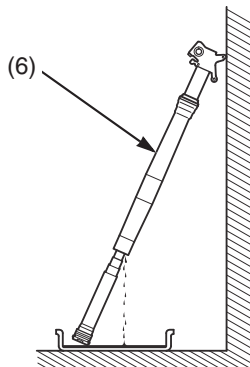


8. Drain the fork oil from the outer tube (6). Empty the fork oil from the outer tube by pumping the outer tube several times.



(6) outer tube

9. Drain the fork oil by turning the outer tube (6) upside down. (About 0.2 US oz (7 cm³) of fork oil will be left in the outer tube when it is left inverted for about 20 minutes at 68°F/20°C.)



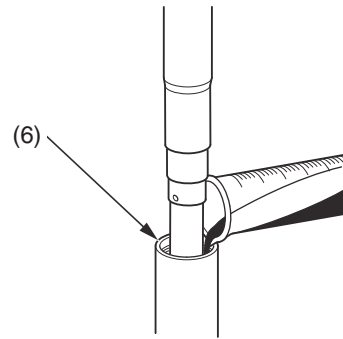
(6) outer tube

Pour the drained oil into a suitable container and dispose of it in an approved manner (page 158)

NOTICE

Improper disposal of drained oil is harmful to the environment.

10. Pour the recommended fork oil (page 91) into the outer tube (6).



(6) outer tube

Left Fork Outer Tube Oil Capacity:

Standard oil capacity	10.6 US oz (313 cm ³)
-----------------------	-----------------------------------

Approximately 0.2 US oz (7 cm³) of fork oil remains after draining.

This amount must be noted when filling to the standard, maximum or minimum oil capacity.

11. Check that the O-ring (12) on the air cylinder unit (7) is in good condition. Apply the recommended fork oil to the O-ring. Temporarily install the air cylinder unit to the outer tube (6).

After installing the fork leg (page 107), tighten the air cylinder unit to the specified torque using a lock nut wrench:

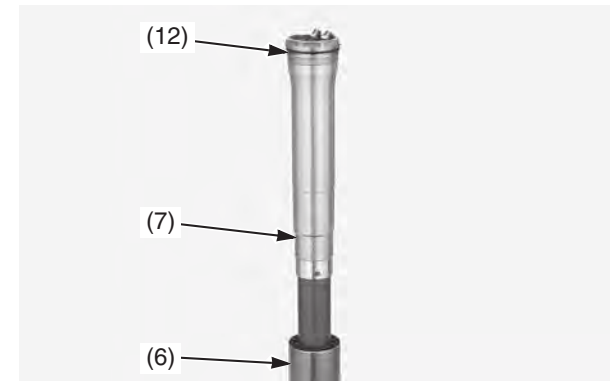
Actual:

56 lbf·ft (76 N·m, 7.7 kgf·m)

Torque wrench scale reading:

51 lbf·ft (69 N·m, 7.0 kgf·m), using a 20 in (50 cm) long deflecting beam type torque wrench.

When using the lock nut wrench, use a 20 in (50 cm) long deflecting beam type torque wrench with a lock nut wrench. The lock nut wrench increases the torque wrench's leverage, so the torque wrench reading will be less than the torque actually applied to the fork damper.



(6) outer tube

(7) air cylinder unit

(12) O-ring

(cont'd)