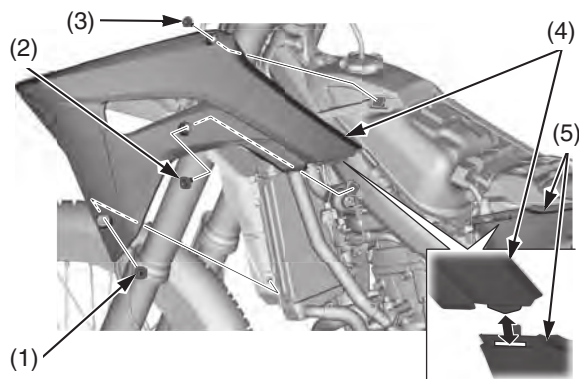


Refer to *Important Safety Precautions* on page 23.

## Removal

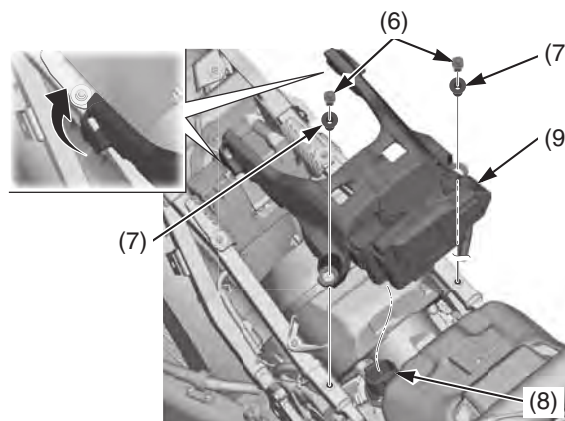
1. Remove the seat (page 33).
2. Remove the shroud A bolt (1), shroud B bolt (2) and shroud C bolt (3).
3. Slide the shroud (4) toward the up to separate from the air cleaner housing cover (5), and then remove the shroud.

The right and left shrouds can be removed in the same manner.



- (1) shroud A bolt
- (2) shroud B bolt
- (3) shroud C bolt
- (4) shroud
- (5) air cleaner housing cover

4. Remove the right and left mufflers (page 115).
5. Remove the seat support base mounting bolts (6), and collars (7).
6. Disconnect the starter/ignition relay connector (8) and remove the seat support base (9).



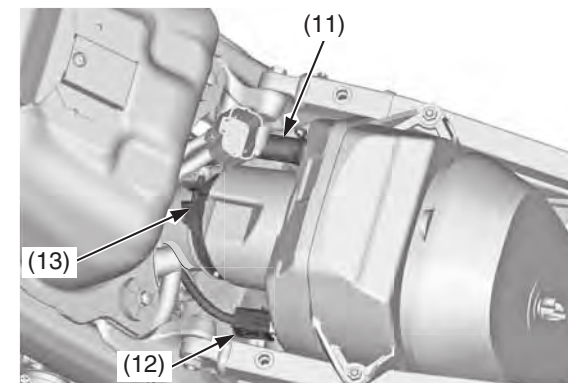
- (6) seat support base mounting bolts
- (7) collars
- (8) starter/ignition relay connector
- (9) seat support base

7. Lift the seat support base (9) and hang it to the left of the subframe (10).



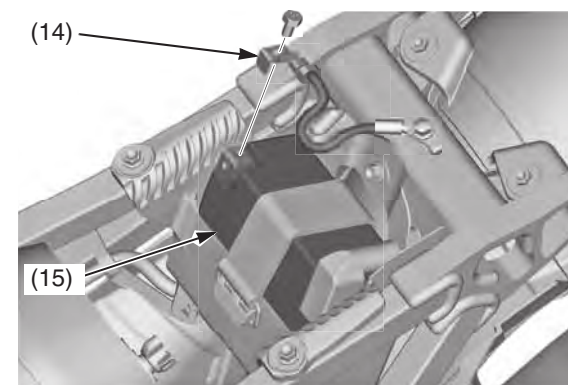
- (9) seat support base
- (10) subframe

8. Disconnect the breather tube (11) and IAT sensor connector (12).
9. Loosen the air cleaner connecting tube clamp screw (13).



- (11) breather tube
- (12) IAT sensor connector
- (13) air cleaner connecting tube clamp screw

10. Disconnect the negative (-) terminal (14) from the battery (15).



- (14) negative (-) terminal
- (15) battery

(cont'd)