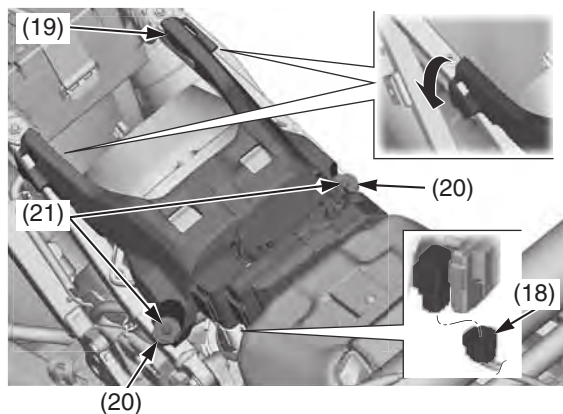


Subframe

7. Connect the starter/ignition relay connector (18) and install the seat support base (19).
8. Install and tighten the collars (20), and seat support base mounting bolts (21) to the specified torque:
7 lbf-ft (10 N·m, 1.0 kgf·m)



- (18) starter/ignition relay connector
(19) seat support base
(20) collars
(21) seat support base mounting bolts

9. Install the left and right mufflers (page 116).

10. Slide the shroud (22) toward the down so that the shroud tab (23) and the slot (24) on the air cleaner housing cover (25) is aligned.

11. Install the shroud C bolt (26), B bolt (27) and shroud A bolt (28).

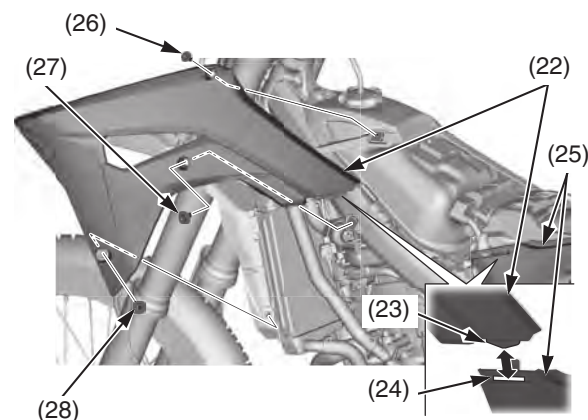
Tighten the shroud A and B bolts to the specified torque:

7 lbf-ft (10 N·m, 1.0 kgf·m)

Tighten the shroud C bolt to the specified torque:

3.8 lbf-ft (5.2 N·m, 0.5 kgf·m)

The right and left shrouds can be installed in the same manner.



- (22) shroud
(23) shroud tab
(24) slot
(25) air cleaner housing cover
(26) shroud C bolt
(27) shroud B bolt
(28) shroud A bolt

12. Install the seat (page 33).