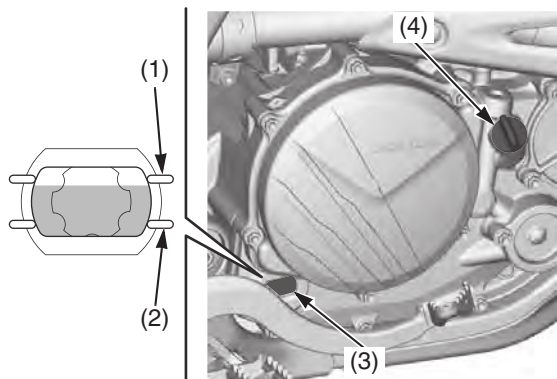


# Engine Oil

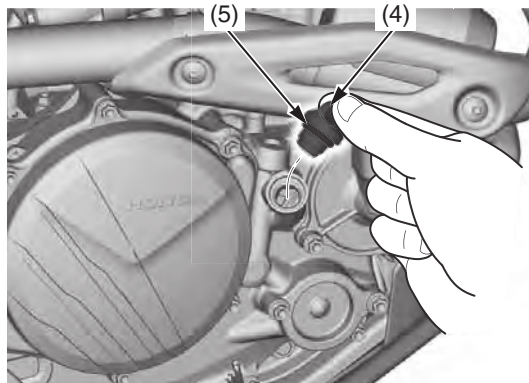
## Checking & Adding Oil

1. Run the engine at idle for 3 minutes, then shut it off.
2. Wait 3 minutes after shutting off the engine to allow the oil to properly distribute itself in the engine.
3. Support the CRF in an upright position on a level surface.
4. Check that the oil level is between the upper (1) and lower (2) level marks in the oil level inspection window (3).
  - If the oil is at or near the upper level mark, you do not have to add oil.
  - If the oil is below or near the lower level mark, remove the oil fill cap (4) and add the recommended oil until it reaches the upper level mark. (Do not overfill.)



- (1) upper level mark  
(2) lower level mark  
(3) inspection window  
(4) engine oil fill cap

5. Check that the O-ring (5) is in good condition and replace it if necessary.
6. Reinstall the engine oil fill cap (4).

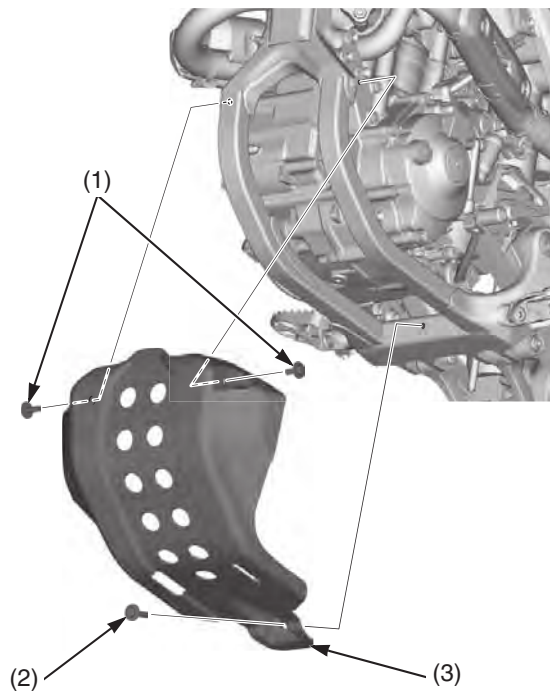


- (4) engine oil fill cap  
(5) O-ring

7. Check for oil leaks.

## Changing Engine Oil & Filter

1. Remove the engine guard A bolts/washers (1), B bolt/washer (2) and engine guard (3).



- (1) engine guard A bolts/washers  
(2) engine guard B bolt/washer  
(3) engine guard

2. Run the engine at idle for 3 minutes, then shut it off.
3. Support the CRF in an upright position on a level surface.