

Valve Clearance

Refer to *Important Safety Precautions* on page 23.

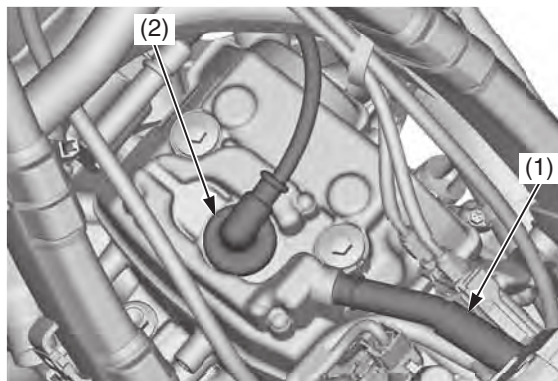
Excessive valve clearance will cause noise and eventual engine damage. Little or no clearance will prevent the valve from closing and cause valve damage and power loss. Check valve clearance when the engine is cold at the intervals specified in the Maintenance Schedule (page 25).

The checking or adjusting of the valve clearance should be performed while the engine is cold. The valve clearance will change as engine temperature rises.

Cylinder Head Cover Removal

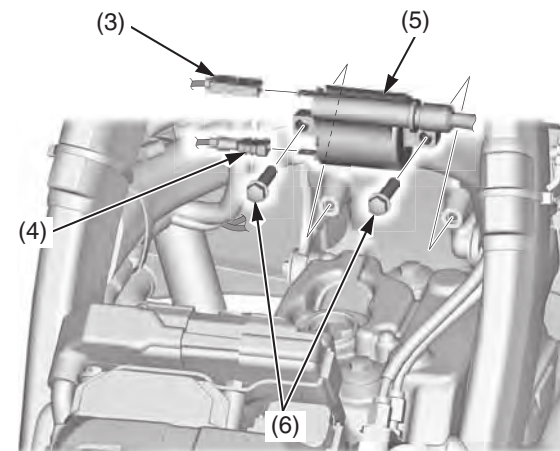
Before inspection, clean the engine thoroughly to keep dirt from entering the engine.

1. Remove the seat and hang the fuel tank to the left of the frame (pages 33, 34).
2. Disconnect the breather tube (1) and spark plug cap (2).



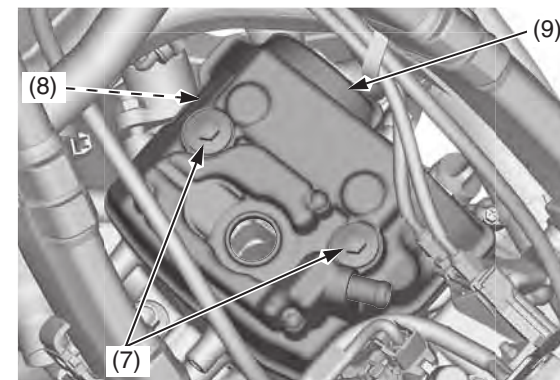
(1) breather tube (2) spark plug cap

3. Disconnect the ignition coil A connector (3) and B connector (4). Remove the ignition coil (5) by removing the ignition coil bolts (6).



(3) ignition coil A connector (4) ignition coil B connector (5) ignition coil (6) ignition coil bolts

4. Remove the cylinder head cover socket bolts, rubber seals (7), cylinder head cover packing (8) and cylinder head cover (9).



(7) cylinder head cover socket bolts, rubber seals (8) cylinder head cover packing (9) cylinder head cover